

Adress

Shipping address see address

Order
 Estimate



Purchaser: _____

Telephone: _____

Com.:

Campus RELAX 681 size 1 **3010,00 €**

Campus RELAX 682 size 2 **3080,00 €**

Campus RELAX 683 size 3 **3190,00 €**

Price valid from January 1st 2024
(until revoked)



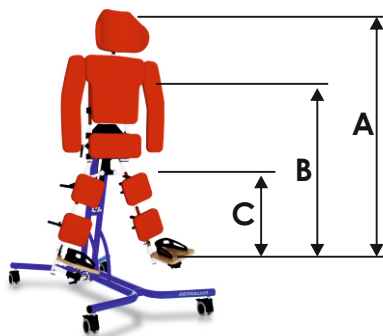
Campus Relax

back-lie standing system incline adjustable with leg spread

basic measure

basic equipment:

- basic frame with 75mm wheels
- single adjustable leg pads
- single adjustable and angle adjustable heel shells
- back and pelvis pad, chest belt
- head pad (shell form) angle adjustable
- incline adjustment with gas spring from 90° (vertical) to 0° (horizontal)



measure

total height
measure A :cm

chest height
measure B :cm

inside leg
measure C :cm

frame

frame colour

Standing system *Campus Relax*

size 1 Code 681
80 to 110cm body size

size 2 Code 682
100 to 130cm body size

size 3 Code 683
120 to 150cm body size

Height of pads horizontal
measure H

75cm (standard)

75cm (standard)

75cm (standard)

max. allowed user weight

50 kg

60 kg

70 kg

25 RAL 9010 white

24 RAL 1028 melon yellow

27 mandarin met.

41 RAL 3020 traffic red met.

40 red metallic

43 RAL 4010 telemagenta met.

59 atlantic blue

44 RAL 5015 sky blue met.

45 RAL 6018 yellow green met.

19 silver metallic

46 RAL 9023 perl dark grey

23 RAL 9005 black

met. = metallized

Technical changes and print mistakes are reserved.

VD2222E-28

BASIC-Line

CODE 6806

Die **BASIC-Line** is the standard equipment and the pads are one colour off imitation leather or upholstery fabric and black at the back and lateral.

HIGH-Line

CODE 6996

In the **HIGH-Line**, the pads are at the front and back one colour off imitation leather or upholstery fabric and black at the sides.

Campus Relax 681 / 682 / 683

back-lie standing-system incline adjustable with leg spread

A heel shell to head pad upper edge

size	minimal measure A	maximal measure A
1	80 cm	110 cm
2	100 cm	130 cm
3	120 cm	150 cm



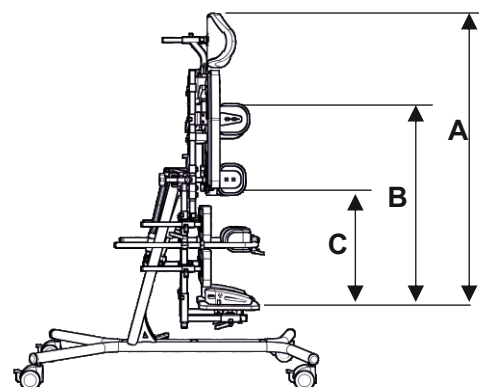
B distance from heel shells to chest height

	minimum measure B	maximum measure B
Campus RELAX 1	50 cm	80 cm
Campus RELAX 2	70 cm	100 cm
Campus RELAX 3	90 cm	120 cm

C inside leg

	minimum measure C	maximum measure C
Campus RELAX 1	25 cm	30 cm
Campus RELAX 2	35 cm	50 cm
Campus RELAX 3	48 cm	70 cm

standing system vertical



variations and measures of leg pads

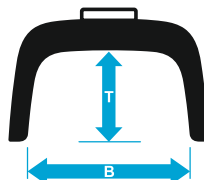
CODE 6852 spread saddle	size	1	2	3
L	L	12cm	12cm	15cm
CODE 6825 leg pad <td>H</td> <td>10cm</td> <td>12cm</td> <td>15cm</td>	H	10cm	12cm	15cm

CODE 6852 spread saddle	size	1	2	3
L	L	12cm	12cm	15cm
CODE 6826 or CODE 6827 double leg pad	H	10cm	12cm	15cm
K	K	20-25cm	24-29cm	30-33cm

measures knee pads

	size of knee pads			
	measurements [mm]			
size	B	T	H	
Relax 1	S	80	60	90
Relax 2/3	M	110	80	90
	L	140	100	100
special size	XL	170	115	130

(price on request)



	total width		total length		Max. allowed user weight	total weight	total height
	frame	table plate	mobility base vertical	mobility base horizontal			
Campus RELAX 1	55 cm	63 cm	93 cm only frame 115 cm with table plate	93 cm only frame 130 cm	50 kg	30kg	max. 120cm
Campus RELAX 2	68 cm	63 cm	96 cm only frame 115 cm with table plate	96 cm only frame 140 cm	60 kg	40kg	max. 130cm
Campus RELAX 3	70 cm	63 cm	96 cm only frame 120 cm with table plate	96 cm only frame 150 cm	70 kg	50kg	max. 140cm

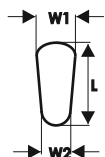
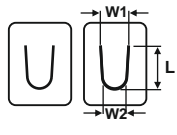
upholstery fabric Basic-Line

Basic-Line	Code 6806	front lateral back unicolour Dartex black DA690 Dartex black DA690	upholstery fabric Cosy
imitation leather Capri <input type="checkbox"/> MM110 yellow <input type="checkbox"/> MM120 orange <input type="checkbox"/> MM130 red <input type="checkbox"/> MM140 lavender <input type="checkbox"/> MM141 lila <input type="checkbox"/> MM150 azur <input type="checkbox"/> MM151 nebulas blue <input type="checkbox"/> MM152 saphir <input type="checkbox"/> MM160 light green <input type="checkbox"/> MM161 kiwi <input type="checkbox"/> MM162 limone <input type="checkbox"/> MM170 grey <input type="checkbox"/> MM190 black		Standard	<input type="checkbox"/> CO310 yellow <input type="checkbox"/> CO330 red <input type="checkbox"/> CO341 pink <input type="checkbox"/> CO350 ultramarine <input type="checkbox"/> CO351 royal blue <input type="checkbox"/> CO380 lemon <input type="checkbox"/> CO370 grey <input type="checkbox"/> CO390 black

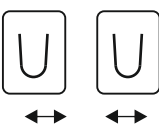
upholstery fabric High-Line

High-Line	Code 6996	front lateral back unicolour Dartex black DA690 unicolour	upholstery fabric Cosy
imitation leather Capri <input type="checkbox"/> MM110 yellow <input type="checkbox"/> MM120 orange <input type="checkbox"/> MM130 red <input type="checkbox"/> MM140 lavender <input type="checkbox"/> MM141 lila <input type="checkbox"/> MM150 azur <input type="checkbox"/> MM151 nebulas blue <input type="checkbox"/> MM152 saphir <input type="checkbox"/> MM160 light green <input type="checkbox"/> MM161 kiwi <input type="checkbox"/> MM162 limone <input type="checkbox"/> MM170 grey <input type="checkbox"/> MM190 black		<input type="checkbox"/> Set Code 6996 OE 194,- €	Standard <input type="checkbox"/> AG490 black* <input type="checkbox"/> unicolour <small>* Except by Cosy fabric CO390 black is the fabric AG470 grey</small> <input type="checkbox"/> CO310 yellow <input type="checkbox"/> CO330 red <input type="checkbox"/> CO341 pink <input type="checkbox"/> CO350 ultramarine <input type="checkbox"/> CO351 royal blue <input type="checkbox"/> CO380 lemon <input type="checkbox"/> CO370 grey <input type="checkbox"/> CO390 black

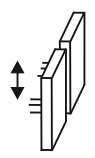
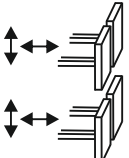
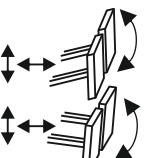
footplate

Single footplate plastic, single adjustable, with straps footrest reception tube rigid with hemisphere joint under foot bowl for small correction  <table border="1"> <tr> <th>L</th> <th>W2</th> <th>W1</th> <th>size</th> </tr> <tr> <td><input type="checkbox"/> 18cm</td> <td>6,5cm</td> <td>8cm</td> <td>size 1</td> </tr> <tr> <td><input type="checkbox"/> 21cm</td> <td>7cm</td> <td>9,5cm</td> <td>size 2</td> </tr> <tr> <td><input type="checkbox"/> 24cm</td> <td>8cm</td> <td>11cm</td> <td>size 3</td> </tr> </table> Code 6810	L	W2	W1	size	<input type="checkbox"/> 18cm	6,5cm	8cm	size 1	<input type="checkbox"/> 21cm	7cm	9,5cm	size 2	<input type="checkbox"/> 24cm	8cm	11cm	size 3	single foot plate (wood) with heel shells pluggable footrest reception tube rigid  <table border="1"> <tr> <th>W1/W2</th> <th>L</th> </tr> <tr> <td><input type="checkbox"/> Size XL</td> <td>11,5/8cm 19 cm</td> </tr> <tr> <td><input type="checkbox"/> Standard for 683</td> <td></td> </tr> <tr> <td><input type="checkbox"/> Size L</td> <td>10,5/8cm 13,5 cm</td> </tr> <tr> <td><input type="checkbox"/> Standard for 681 / 682</td> <td></td> </tr> </table> Code 6812	W1/W2	L	<input type="checkbox"/> Size XL	11,5/8cm 19 cm	<input type="checkbox"/> Standard for 683		<input type="checkbox"/> Size L	10,5/8cm 13,5 cm	<input type="checkbox"/> Standard for 681 / 682		Straps for hell shells Code 6811 only with combination Code 6812
L	W2	W1	size																									
<input type="checkbox"/> 18cm	6,5cm	8cm	size 1																									
<input type="checkbox"/> 21cm	7cm	9,5cm	size 2																									
<input type="checkbox"/> 24cm	8cm	11cm	size 3																									
W1/W2	L																											
<input type="checkbox"/> Size XL	11,5/8cm 19 cm																											
<input type="checkbox"/> Standard for 683																												
<input type="checkbox"/> Size L	10,5/8cm 13,5 cm																											
<input type="checkbox"/> Standard for 681 / 682																												
Standard <input type="checkbox"/> Pair OE 258,- €	<input type="checkbox"/> Pair OE 279,- €	<input type="checkbox"/> Pair OE 270,- € <input type="checkbox"/> Pair 65,- €																										

footplate

Footplate angle adjustable with gear segment (for single footplate or double footplate) Code 6813 (only in combination with Code 6812)	Footplate with ball joint angle adjustable (for correction of club feet) of double footplate: to tilt in front or back and rotatable Code 6814 (only in combination with Code 6812)	Special attachment for double footplates for transverse dislocation Special footrest reception tube: footplate are sideward with the special and cross holder moveable only in combination with Code 6810 or Code 6812  Code 6815 (not in combination with Code 6813)
<input type="checkbox"/> Pair OE 258,- €	<input type="checkbox"/> Pair OE 279,- €	<input type="checkbox"/> Pair OE 244,- €

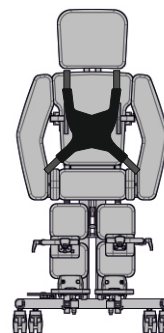
leg pads straight

Leg pads from below / behind: single adjustable, with belt strap for knee  Code 6825 (not in combination with knee pads SHARK CODE 6828S)	Double leg pads from below / behind, single adjustable, with belt straps for knee  Code 6826	Double leg pads, angle adjustable, adjustable from below / behind, single adjustable, with belt strap for knee  Code 6827
Standard <input type="checkbox"/> Pair OE 484,- €	<input type="checkbox"/> Pair OE 484,- €	<input type="checkbox"/> Pair OE 678,- €

Technical changes and print mistakes are reserved.
 VD2222E-28

Campus Relax 681 / 682 / 683

back-lie standing-system incline adjustable with leg spread



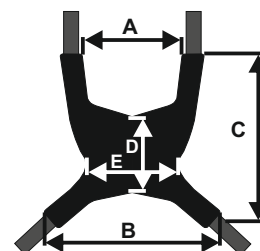
measure chest harness

Size	measure A	measure B	measure C	measure D	measure E
M ₂	11 cm	24 cm	36 cm	14 cm	14 cm
L ₃	16 cm	30 cm	42 cm	15 cm	18 cm
XL ₄	19 cm	32 cm	48 cm	17 cm	21 cm
XXL ₅	21 cm	39 cm	61 cm	19 cm	25 cm

Relax 1

Relax 2

Relax 3



F distance between side pads

Campus Relax size	side pads fixed	side pads swing away / pluggable		
		straight	pad rack 20mm	40mm
1 6991	17- 26*cm	22 - 31*cm	20 - 27*cm	16 - 23*cm
2 6992	19 - 26*cm	24 - 31*cm	22 - 27*cm	18 - 23*cm
3 6993	20 - 26*cm	24 - 31*cm	22 - 27*cm	18 - 23*cm

* with movement of arm pads

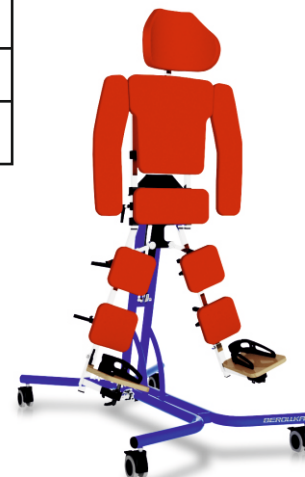
G distance between pelvis side pads

Relax size	distance between pelvis side pads		
	fixed	pluggable swing away	angle adjustment
1 6991	17 - 22cm (30cm)*	18 - 24cm (31cm)*	18 - 24cm (32cm)*
2 6992	18 - 25cm (32cm)*	19 - 26cm (32cm)*	20 - 26cm (34cm)*
3 6993	20 - 26cm (34cm)*	23 - 28cm (37cm)*	24 - 30cm (37cm)*

* measure if: - without arm
- arm 4cm each side adjusted to the outside

H distance between pelvis strap

size	distance between the pads of the pelvis strap
S	10 - 22cm
M	18 - 30cm
L	22 - 35cm




knee pads

<p>Knee pads single adjustable</p> <p>Campus 681 <input type="checkbox"/> size S</p> <p>Campus 682 /683 <input type="checkbox"/> size M</p> <p>measure see technical data</p> <p>Code 6828</p> <p>(not in combination with Code 6825 or Code 6826 or 6827)</p> <p><input type="checkbox"/> Pair OE 588,- €</p>	<p>Anatomic knee pads "Shark" single adjustable</p> <p>Campus 681 <input type="checkbox"/> size S</p> <p>Campus 682 /683 <input type="checkbox"/> size M</p> <p>measure see technical data</p> <p>Code 6828S</p> <p>(only in combination with Code 6826 or Code 6827)</p> <p><input type="checkbox"/> Pair OE 604,- €</p>	<p>Note: knee pads size S = standard at Campus 681 knee pads size M = standard at Campus 682 / 683</p>
---	--	--



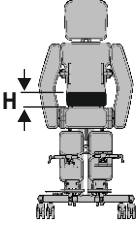
plevis pads

<p>Pelvis pad high adjustable and angle adjustable</p> <p><input checked="" type="checkbox"/></p> <p>Code 6850</p>	<p>Pelvis strap fixed at the pelvis pad</p> <p><input type="checkbox"/> size S</p> <p><input type="checkbox"/> size M</p> <p><input type="checkbox"/> size L</p> <p>Code 6853</p> <p>measure see technical data</p>	<p>Standard</p> <p><input type="checkbox"/> Piece 322,- €</p>
--	---	---

pelvis pad

<p>Pelvis side pads fixed on pelvis pad, adjustable in the width</p> <p>distance between the pelvis side pads:</p> <p>_____ cm</p> <p>Code 6854</p>	<p>Pelvis side pads pluggable with pad holder flat pluggable</p> <p>distance between the pelvis side pads:</p> <p>_____ cm</p> <p>Code 6855</p>	<p>Pelvis side pads swing away with pad holder flat swing away</p> <p>distance between the pelvis side pads:</p> <p>_____ cm</p> <p>Code 6856</p>	<p>Angle adjustment for pelvis side pads for abduct leg position</p> <p></p> <p>Code 6857 (only in combination with pelvis side pads CODE 6855 or 6856 possible)</p>
<input type="checkbox"/> Pair 198,- €	<input type="checkbox"/> Pair 318,- €	<input type="checkbox"/> Pair 328,- €	<input type="checkbox"/> Pair OE 486,- €

back pad

<p>Back pad with chest belt</p> <p></p> <p><input type="checkbox"/> Code 6842</p>	<p>Chest shoulder belt (instead of chest belt)</p> <p>Campus 681 <input type="checkbox"/> size M</p> <p>Campus 682 <input type="checkbox"/> size L</p> <p>Campus 683 <input type="checkbox"/> size XL</p> <p></p> <p>Code 6841</p> <p>measure see technical data</p>	<p>Back pad extension, additional additional back pad between the normal back pad and the pelvis pad</p> <p>size 1 H 10cm</p> <p>size 2/3 H 12cm</p> <p>Code 6844</p> <p></p>
Standard	<input type="checkbox"/> Piece OE 196,- €	<input type="checkbox"/> Piece 250,- €

note

<p>Technical changes and print mistakes are reserved.</p>

VD2222E-28

side pads

<p>Campus 681 / 682 <input type="checkbox"/> S 11cm 8cm Campus 683 <input type="checkbox"/> M 12cm 11cm</p>	<p>Side pads for thorax rigid (fixed)</p> <p><input type="checkbox"/> right <input type="checkbox"/> left</p> <p>Code 6835</p> <p><input type="checkbox"/> Pair 242,- €</p>	<p>Side pads for thorax swing away</p> <p><input type="checkbox"/> right <input type="checkbox"/> left</p> <p>pad rack <input type="checkbox"/> straight <input type="checkbox"/> 20mm (standard) <input type="checkbox"/> 40mm</p> <p>Code 6836</p> <p><input type="checkbox"/> Pair 280,- €</p>	<p>Side pads for thorax pluggable</p> <p><input type="checkbox"/> right <input type="checkbox"/> left</p> <p>pad rack <input type="checkbox"/> straight <input type="checkbox"/> 20mm (standard) <input type="checkbox"/> 40mm</p> <p>Code 6837</p> <p><input type="checkbox"/> Pair 278,- €</p>	

arm pads

accessories

<p>Arm pads pluggable</p> <p>Code 6838</p> <p><input type="checkbox"/> Pair 348,- €</p>	<p>Arm pads pluggable and angle adjustable</p> <p>Code 6839</p> <p><input type="checkbox"/> Pair 674,- €</p>		<p>Hand bow, angle adjustable with joint at the center pillar</p> <p>Code 69959</p> <p><input type="checkbox"/> Piece 334,- €</p>

seat

head pads

<p>Abduction roll pluggable</p> <p>Code 6851</p> <p><input type="checkbox"/> Piece 346,- €</p>	<p>Spread saddle, pluggable</p> <p>Code 6852</p> <p><input type="checkbox"/> Piece 468,- €</p>		<p>Head pad formed (shell form)</p> <p>Code 6845</p> <p><input checked="" type="checkbox"/> Standard</p>	<p>offset adapter for head pad formed (shell form)</p> <p>Code 69947</p> <p><input type="checkbox"/> Piece OE 108,- €</p>

table

<p>Table (wood) with attachment</p> <p>Code 6860</p> <p><input type="checkbox"/> Piece 558,- €</p>	<p>Table border 1 piece pluggable</p> <p>Code 6861</p> <p><input type="checkbox"/> Set 160,- €</p>	<p>Table plate with hutch (wood)</p> <p>Code 6865</p> <p><input type="checkbox"/> Piece OE 789,- €</p>	<p>Table cushion for table plate with cushion black MM190</p> <p>Code 69966</p> <p><input type="checkbox"/> Piece 318,- €</p>

note

Technical changes and print mistakes are reserved.

VD2222E-28

note

Technical changes and print mistakes reserved.

VD2222E-28

General Terms and Conditions of Business (GTC)

Validity

All sales are subject to our delivery and payment conditions, without any exception. Orders and other agreements will not be valid unless confirmed by us in writing. We expressly object to the customer's purchase conditions.

Quotations and contract conclusion

Quotations are always subject to change, unless they are expressly limited in terms of time. Orders require a written confirmation. After confirmation, prices quoted in orders are fixed but we reserve the right to make adequate price adjustments in the event of price increases for which we are not responsible (e.g. tax increases, wage increases, price changes on the part of our suppliers). Cost estimates for customized products and repairs are always non-binding. We reserve the right to make technical modifications. The contract will not be concluded before the order is confirmed.

Shipment

To the extent the customer has not made any specification, shipment will be made in usual packaging using an adequate method. Insurance will only be taken out upon request and at the expense of the customer.

Delivery will be made carriage forward. We are free to select a method of shipment. If the customer has special requests, e.g. express delivery, express freight, etc., the additional cost will also be borne by the recipient. The goods will always be shipped at the buyer's risk. In case of damage during transport, the recipient must apply for an ascertainment of the facts with the respective forwarding agent.

Prices

All prices quoted by BEROLLKA will be quoted ex works, excluding any applicable statutory value added tax, public charges and levies such as potential customs tariffs, and insurance and packaging costs that will be charged separately.

Minimum quantity surcharge

If a small order is placed with a net value below 20 euros, an additional lump-sum minimum quantity surcharge of 15.00 euros will additionally be charged to cover administrative costs.

Delivery periods

The delivery dates and periods stated are subject to change. Any delay in delivery will not entitle the customer to withdraw from the contract. The assertion of damage claims is ruled out. BEROLLKA can make partial deliveries for justified reasons.

Wrong orders / return of merchandise

Any goods erroneously ordered will only be taken back provided we are responsible for such an error and the merchandise is in impeccable condition. In the event that an item erroneously ordered or merchandise that was returned is taken back in an individual case as a gesture of goodwill, attention must be paid to the following:

1. It is necessary to state the article number, the designation of the article, the date and number of the delivery note and the invoice number.
2. The return shipment must be carriage paid.
3. The merchandise must correspond to the article number(s) listed in the delivery note. In no event will any individual parts removed from an article be taken back.
4. The returned merchandise must be in impeccable condition.
5. Processing fees amounting to 10% of the net merchandise value not, however, less than €35.- will be charged for any instance where goods are taken back.

Deliveries effected more than 3 months earlier as well as sewing pieces and customized products cannot be exchanged. A copy of the delivery note or of the invoice will serve as proof in this regard.

Warranty and notices of defects

Excluding any further claims, the seller is liable for defects of the merchandise in that the seller will mend or replace all those parts free of charge that have become defective or unusable within 6 months due to provable defects of material or workmanship, and of which the seller has been notified in writing immediately after knowledge was gained of the defect. Should longer periods of time be required for statutory reasons, the warranty period is agreed to be 12 months.

The customer must grant the seller the required time and opportunity for effecting delivery of the replacement parts. Replaced parts will become the property of the seller. The buyer must check the merchandise without undue delay after it has been delivered by the seller and, if a defect is found, notify the seller of the defect without undue delay. Should the buyer fail to notify the seller, the merchandise will be deemed accepted unless a defect occurs that could not have been found when the merchandise was checked.

In any event in which a complaint is brought to the notice of BEROLLKA, BEROLLKA invariably has the right to inspect and check the item delivered that is the subject matter of said complaint, for which the customer will grant BEROLLKA the required time and opportunity. BEROLLKA can also demand that the customer sends the item delivered that is the subject matter of a complaint back to BEROLLKA at the expense of BEROLLKA. Should a notice of defects given by the customer turn out to be wilfully or gross negligently unfounded, the customer will be obliged to compensate BEROLLKA for any and all expenses incurred in this connection. BEROLLKA will be entitled to remedy warranty defects at its own discretion either by rectification of the defect or by replacement of the defective part or of the entire item delivered at no cost for the customer. Should the customer itself repair an item that gave rise to a complaint, or should the customer endeavour to rectify the defects itself without prior written approval of the seller, the seller will not grant any claims for reimbursement of expenses (such as transport, road, labour or material costs) or warranty claims.

The following are excluded from the liability for damages:

damage arising from natural wear and tear, damage due to negligent and/or improper treatment, or violent damage. A revocation of the purchase contract, a reduction of the purchase price or damage claims of any kind are ruled out. The warranty obligation will cease if repairs and/or modifications or replacements of individual parts are performed by other parties than the seller or the delivering company.

Reservation of title

With regard to resellers: The merchandise delivered will remain our property until any and all invoices – also for different deliveries – have been fully paid. Our merchandise that is hence still our property may only be resold within the ordinary course of business. Amounts receivable from any resale are assigned to us. We must be notified without undue delay and on the reseller's own initiative of any disposal of said merchandise outside of the ordinary course of business, e.g. through pledging our property or amounts receivable assigned to us.

Terms of payment

Any invoices are payable within 30 days from the date of the invoice strictly net cash. A 2% discount will be granted for payments received within 8 days provided any and all payment claims under earlier deliveries have been settled. We are entitled to charge default interest if the 30-day payment deadline is exceeded. The interest rate will be the customary market rate charged by major banks. We expressly reserve the right to effect delivery with cash on delivery.

Data Protection

BEROLLKA and the customer are responsible themselves for compliance with the respective data protection rules applicable to them. The customer must not provide BEROLLKA with personal data that is illegal or that the customer is not legally authorised to distribute.

The place of performance and the place of jurisdiction will be the place where the invoice is issued.

Heidelberg, Germany, will be the exclusive place of jurisdiction for any and all disputes arising under the contractual relationship. However, BEROLLKA is entitled to sue the customer at any other legal venue. These General Terms and Conditions of Business are governed by the laws of the Federal Republic of Germany, excluding of the United Nations Convention on Contracts for the International Sale of Goods of Goods (CISG).

Technical modifications and printing errors excepted. A current list of prices can be ordered at any time.