

Adress

Shipping address see address

Order
 Estimate

Purchaser: _____

Telephone: _____

Com.: _____

- PHYSIO RELAX MOTION 69601 size 1 **8410,00 €**
- PHYSIO RELAX MOTION 69602 size 2 **8510,00 €**
- PHYSIO RELAX MOTION 69603 size 3 **8620,00 €**

Price valid from January 1st 2024
(until revoked)



Caupus Physio Relax Motion

Note:
the movement system Galileo
is **not** included in the basic price!!

Stander for dorsal position with electric incline adjustable
for a active moving standing therapy with the movement system Galileo

basic measure	
<p>Basic equipment:</p> <ul style="list-style-type: none"> - frame U-form with 4 wheels - single footplate - single leg pads with vibrant mounting - back pad with chest harness - pelvis pad with pelvis side pads - head pad (straight) - dynamic spring borne knee pads - back lie position with electric drive (with battery) from 90° (vertical) to 0° (horizontal) - additional frame for the movement system Galileo 	<div style="text-align: center;"> </div> <p style="text-align: right; font-weight: bold; font-size: 1.2em;">measure</p> <p>total height measure A :cm</p> <p>chest height measure B :cm</p> <p>inside leg measure C :cm</p>

frame	frame colour																			
<p>Standing system <i>Caupus Physio Relax Motion</i></p> <table border="1"> <tr> <td><input type="checkbox"/> size 1 Code 69601 80 to 120cm body height</td> <td><input checked="" type="checkbox"/> 73cm (standard)</td> <td rowspan="3" style="text-align: center; vertical-align: middle;">50 kg</td> </tr> <tr> <td><input type="checkbox"/> size 2 Code 69602 100 to 135cm body height</td> <td><input checked="" type="checkbox"/> 83cm (standard)</td> </tr> <tr> <td><input type="checkbox"/> size 3 Code 69603 120 to 155cm body height</td> <td><input checked="" type="checkbox"/> 83cm (standard)</td> </tr> </table>	<input type="checkbox"/> size 1 Code 69601 80 to 120cm body height	<input checked="" type="checkbox"/> 73cm (standard)	50 kg	<input type="checkbox"/> size 2 Code 69602 100 to 135cm body height	<input checked="" type="checkbox"/> 83cm (standard)	<input type="checkbox"/> size 3 Code 69603 120 to 155cm body height	<input checked="" type="checkbox"/> 83cm (standard)	<table border="0"> <tr> <td><input type="checkbox"/> 25 RAL 9010 white</td> <td><input type="checkbox"/> 59 atlantic blue</td> </tr> <tr> <td><input type="checkbox"/> 24 RAL 1028 melon yellow</td> <td><input type="checkbox"/> 44 RAL 5015 sky blue met.</td> </tr> <tr> <td><input type="checkbox"/> 27 mandarin met.</td> <td><input type="checkbox"/> 45 RAL 6018 yellow green met.</td> </tr> <tr> <td><input type="checkbox"/> 41 RAL 3020 traffic red met.</td> <td><input type="checkbox"/> 19 silver metallic</td> </tr> <tr> <td><input type="checkbox"/> 40 red metallic</td> <td><input type="checkbox"/> 46 RAL 9023 perl dark grey</td> </tr> <tr> <td><input type="checkbox"/> 43 RAL 4010 telemagenta met.</td> <td><input type="checkbox"/> 23 RAL 9005 black</td> </tr> </table> <p style="text-align: right; font-size: 0.8em;">met. = metallized</p>	<input type="checkbox"/> 25 RAL 9010 white	<input type="checkbox"/> 59 atlantic blue	<input type="checkbox"/> 24 RAL 1028 melon yellow	<input type="checkbox"/> 44 RAL 5015 sky blue met.	<input type="checkbox"/> 27 mandarin met.	<input type="checkbox"/> 45 RAL 6018 yellow green met.	<input type="checkbox"/> 41 RAL 3020 traffic red met.	<input type="checkbox"/> 19 silver metallic	<input type="checkbox"/> 40 red metallic	<input type="checkbox"/> 46 RAL 9023 perl dark grey	<input type="checkbox"/> 43 RAL 4010 telemagenta met.	<input type="checkbox"/> 23 RAL 9005 black
<input type="checkbox"/> size 1 Code 69601 80 to 120cm body height	<input checked="" type="checkbox"/> 73cm (standard)	50 kg																		
<input type="checkbox"/> size 2 Code 69602 100 to 135cm body height	<input checked="" type="checkbox"/> 83cm (standard)																			
<input type="checkbox"/> size 3 Code 69603 120 to 155cm body height	<input checked="" type="checkbox"/> 83cm (standard)																			
<input type="checkbox"/> 25 RAL 9010 white	<input type="checkbox"/> 59 atlantic blue																			
<input type="checkbox"/> 24 RAL 1028 melon yellow	<input type="checkbox"/> 44 RAL 5015 sky blue met.																			
<input type="checkbox"/> 27 mandarin met.	<input type="checkbox"/> 45 RAL 6018 yellow green met.																			
<input type="checkbox"/> 41 RAL 3020 traffic red met.	<input type="checkbox"/> 19 silver metallic																			
<input type="checkbox"/> 40 red metallic	<input type="checkbox"/> 46 RAL 9023 perl dark grey																			
<input type="checkbox"/> 43 RAL 4010 telemagenta met.	<input type="checkbox"/> 23 RAL 9005 black																			

BASIC-Line	HIGH-Line
<p>CODE 6806 Die BASIC-Line is the standard equipment and the pads are one colour off imitation leather or upholstery fabric and black at the back and lateral.</p>	<p>CODE 6996 In the HIGH-Line, the pads are at the front and back one colour off imitation leather or upholstery fabric and black at the sides.</p>

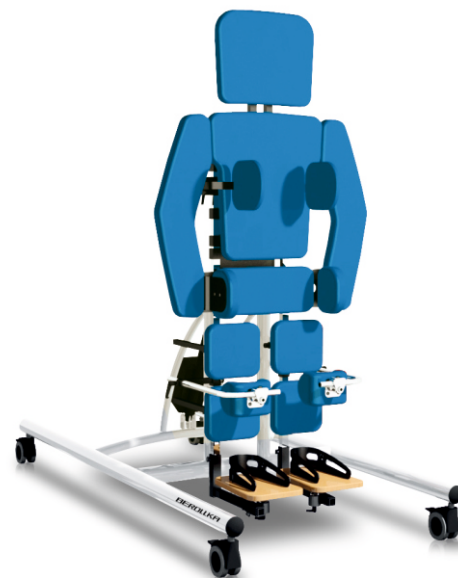
VD2232E-16 Technical changes and print mistakes are reserved.

Campus Physio Relax Motion 69601 / 69602 / 69603

stander for dorsal position, electric incline adjustable

A total height (footplate to head pad)

Size	minimum measure A	maximum measure A
1	80 cm	120 cm
2	100 cm	135 cm
3	120 cm	155 cm

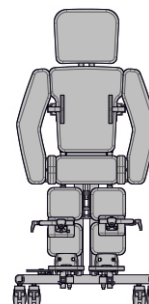


B chest height (footplate to chest)

	minimum measure B	maximum measure B
<i>Physio Relax Motion 1</i>	60 cm	82 cm
<i>Physio Relax Motion 2</i>	70 cm	93 cm
<i>Physio Relax Motion 3</i>	82 cm	104 cm

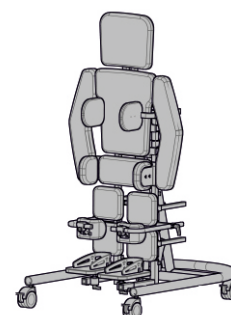
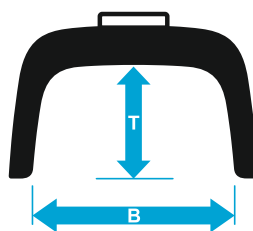
C inside leg

	minimum measure C	maximum measure C
<i>Physio Relax Motion 1</i>	28 cm	50 cm
<i>Physio Relax Motion 2</i>	40 cm	58 cm
<i>Physio Relax Motion 3</i>	50 cm	65 cm



D width of knee pads

size of knee pads				
	measurements [mm]			
size	B	T	H	
Relax Motion 1	S	80	60	90
Relax Motion 2/3	M	110	80	90
	L	140	100	100
special size	XL	170	115	130
(price on request)				



	total width		Total length		max. patient weight	total weight	total height
	frame	table	stander vertical	stander horizontal			
Physio Relax Motion 1	77cm	63cm	125cm	125cm	50 kg	35kg	max. 120cm
Physio Relax Motion 2	77cm	63cm	125cm	135cm	60 kg	45kg	max. 130cm
Physio Relax Motion 3	77cm	63cm	125cm	145cm	70 kg	55kg	max. 140cm

upholstery fabric Basic-Line

Basic-Line	Code 6806	<table border="1"> <tr> <th>front</th> <th>lateral</th> <th>back</th> </tr> <tr> <td>unicolour</td> <td>Dartex black DA690</td> <td>Dartex black DA690</td> </tr> </table>	front	lateral	back	unicolour	Dartex black DA690	Dartex black DA690	upholstery fabric Cosy																
front	lateral	back																							
unicolour	Dartex black DA690	Dartex black DA690																							
<p>imitation leather Capri</p> <table border="0"> <tr> <td><input type="checkbox"/> MM110 yellow</td> <td><input type="checkbox"/> MM152 saphir</td> </tr> <tr> <td><input type="checkbox"/> MM120 orange</td> <td><input type="checkbox"/> MM160 light green</td> </tr> <tr> <td><input type="checkbox"/> MM130 red</td> <td><input type="checkbox"/> MM161 kiwi</td> </tr> <tr> <td><input type="checkbox"/> MM140 lavender</td> <td><input type="checkbox"/> MM162 limone</td> </tr> <tr> <td><input type="checkbox"/> MM141 lila</td> <td><input type="checkbox"/> MM170 grey</td> </tr> <tr> <td><input type="checkbox"/> MM150 azur</td> <td><input type="checkbox"/> MM190 black</td> </tr> <tr> <td><input type="checkbox"/> MM151 nebulas blue</td> <td></td> </tr> </table>		<input type="checkbox"/> MM110 yellow	<input type="checkbox"/> MM152 saphir	<input type="checkbox"/> MM120 orange	<input type="checkbox"/> MM160 light green	<input type="checkbox"/> MM130 red	<input type="checkbox"/> MM161 kiwi	<input type="checkbox"/> MM140 lavender	<input type="checkbox"/> MM162 limone	<input type="checkbox"/> MM141 lila	<input type="checkbox"/> MM170 grey	<input type="checkbox"/> MM150 azur	<input type="checkbox"/> MM190 black	<input type="checkbox"/> MM151 nebulas blue		<table border="0"> <tr> <td><input type="checkbox"/> CO310 yellow</td> <td><input type="checkbox"/> CO351 royal blue</td> </tr> <tr> <td><input type="checkbox"/> CO330 red</td> <td><input type="checkbox"/> CO380 lemon</td> </tr> <tr> <td><input type="checkbox"/> CO341 pink</td> <td><input type="checkbox"/> CO370 grey</td> </tr> <tr> <td><input type="checkbox"/> CO350 ultramarine</td> <td><input type="checkbox"/> CO390 black</td> </tr> </table>		<input type="checkbox"/> CO310 yellow	<input type="checkbox"/> CO351 royal blue	<input type="checkbox"/> CO330 red	<input type="checkbox"/> CO380 lemon	<input type="checkbox"/> CO341 pink	<input type="checkbox"/> CO370 grey	<input type="checkbox"/> CO350 ultramarine	<input type="checkbox"/> CO390 black
<input type="checkbox"/> MM110 yellow	<input type="checkbox"/> MM152 saphir																								
<input type="checkbox"/> MM120 orange	<input type="checkbox"/> MM160 light green																								
<input type="checkbox"/> MM130 red	<input type="checkbox"/> MM161 kiwi																								
<input type="checkbox"/> MM140 lavender	<input type="checkbox"/> MM162 limone																								
<input type="checkbox"/> MM141 lila	<input type="checkbox"/> MM170 grey																								
<input type="checkbox"/> MM150 azur	<input type="checkbox"/> MM190 black																								
<input type="checkbox"/> MM151 nebulas blue																									
<input type="checkbox"/> CO310 yellow	<input type="checkbox"/> CO351 royal blue																								
<input type="checkbox"/> CO330 red	<input type="checkbox"/> CO380 lemon																								
<input type="checkbox"/> CO341 pink	<input type="checkbox"/> CO370 grey																								
<input type="checkbox"/> CO350 ultramarine	<input type="checkbox"/> CO390 black																								
Standard																									

Technical changes and print mistakes are reserved.

upholstery fabric High-Line

High-Line	Code 6996	<table border="1"> <tr> <th>front</th> <th>lateral</th> <th>back</th> </tr> <tr> <td>unicolour</td> <td>Dartex black DA690</td> <td>unicolour</td> </tr> </table>	front	lateral	back	unicolour	Dartex black DA690	unicolour	<table border="1"> <tr> <th>front</th> <th>lateral</th> <th>back</th> </tr> <tr> <td>unicolour</td> <td>AG490 black*</td> <td>unicolour</td> </tr> </table> <p><small>* Except by Cosy fabric CO390 black is the fabric AG470 grey</small></p>	front	lateral	back	unicolour	AG490 black*	unicolour										
front	lateral	back																							
unicolour	Dartex black DA690	unicolour																							
front	lateral	back																							
unicolour	AG490 black*	unicolour																							
<p>imitation leather Capri</p> <table border="0"> <tr> <td><input type="checkbox"/> MM110 yellow</td> <td><input type="checkbox"/> MM152 saphir</td> </tr> <tr> <td><input type="checkbox"/> MM120 orange</td> <td><input type="checkbox"/> MM160 light green</td> </tr> <tr> <td><input type="checkbox"/> MM130 red</td> <td><input type="checkbox"/> MM161 kiwi</td> </tr> <tr> <td><input type="checkbox"/> MM140 lavender</td> <td><input type="checkbox"/> MM162 limone</td> </tr> <tr> <td><input type="checkbox"/> MM141 lila</td> <td><input type="checkbox"/> MM170 grey</td> </tr> <tr> <td><input type="checkbox"/> MM150 azur</td> <td><input type="checkbox"/> MM190 black</td> </tr> <tr> <td><input type="checkbox"/> MM151 nebulas blue</td> <td></td> </tr> </table>		<input type="checkbox"/> MM110 yellow	<input type="checkbox"/> MM152 saphir	<input type="checkbox"/> MM120 orange	<input type="checkbox"/> MM160 light green	<input type="checkbox"/> MM130 red	<input type="checkbox"/> MM161 kiwi	<input type="checkbox"/> MM140 lavender	<input type="checkbox"/> MM162 limone	<input type="checkbox"/> MM141 lila	<input type="checkbox"/> MM170 grey	<input type="checkbox"/> MM150 azur	<input type="checkbox"/> MM190 black	<input type="checkbox"/> MM151 nebulas blue		<p>upholstery fabric Cosy</p> <table border="0"> <tr> <td><input type="checkbox"/> CO310 yellow</td> <td><input type="checkbox"/> CO351 royal blue</td> </tr> <tr> <td><input type="checkbox"/> CO330 red</td> <td><input type="checkbox"/> CO380 lemon</td> </tr> <tr> <td><input type="checkbox"/> CO341 pink</td> <td><input type="checkbox"/> CO370 grey</td> </tr> <tr> <td><input type="checkbox"/> CO350 ultramarine</td> <td><input type="checkbox"/> CO390 black</td> </tr> </table>		<input type="checkbox"/> CO310 yellow	<input type="checkbox"/> CO351 royal blue	<input type="checkbox"/> CO330 red	<input type="checkbox"/> CO380 lemon	<input type="checkbox"/> CO341 pink	<input type="checkbox"/> CO370 grey	<input type="checkbox"/> CO350 ultramarine	<input type="checkbox"/> CO390 black
<input type="checkbox"/> MM110 yellow	<input type="checkbox"/> MM152 saphir																								
<input type="checkbox"/> MM120 orange	<input type="checkbox"/> MM160 light green																								
<input type="checkbox"/> MM130 red	<input type="checkbox"/> MM161 kiwi																								
<input type="checkbox"/> MM140 lavender	<input type="checkbox"/> MM162 limone																								
<input type="checkbox"/> MM141 lila	<input type="checkbox"/> MM170 grey																								
<input type="checkbox"/> MM150 azur	<input type="checkbox"/> MM190 black																								
<input type="checkbox"/> MM151 nebulas blue																									
<input type="checkbox"/> CO310 yellow	<input type="checkbox"/> CO351 royal blue																								
<input type="checkbox"/> CO330 red	<input type="checkbox"/> CO380 lemon																								
<input type="checkbox"/> CO341 pink	<input type="checkbox"/> CO370 grey																								
<input type="checkbox"/> CO350 ultramarine	<input type="checkbox"/> CO390 black																								
<input type="checkbox"/> Set Code 6996 OE 194,- €																									

footplate

<p>Single footplate (wood) with heel shells pluggable</p> <p>B1/B2 L</p> <p>Size XL <input type="checkbox"/> 11,5/8cm 19 cm Standard at 6993</p> <p>Size L <input type="checkbox"/> 10,5/8cm 13,5 cm Standard at 6991 / 6992</p> <p>Code 69910</p>	<p>Double footplate (wood) with heel shells pluggable</p> <p>B1/B2 L</p> <p>Size XL <input type="checkbox"/> 11,5/8cm 19 cm Standard at 6993</p> <p>Size L <input type="checkbox"/> 10,5/8cm 13,5 cm Standard at 6991 / 6992</p> <p>Code 69912</p>	<p>Straps for heel shells</p> <p>Code 69911</p>	<p>Footplate angle adjustable (with gear segment)</p> <p>(for single or double footplate)</p> <p>Code 69913</p>
Standard	<input type="checkbox"/> Pair OE 152,- €	<input type="checkbox"/> Pair 65,- €	<input type="checkbox"/> Pair OE 258,- €

footplate

<p>Footplate with ball joint angle adjustable (for correction of club feet)</p> <p>at footplate single to tilt in front or back</p> <p>at footplate double to tilt in front or back and rotatable</p> <p>Code 69914</p>	<input type="checkbox"/> Pair OE 279,- €
-------------------------------------------------------------------------------------------------------------------------------------------------------------------------------------------------------------------------	------------------------------------------

frame for the movement system Galileo

<p>mounting frame for the movement system Galileo (change between the frame for the Galileo and the footplate)</p> <p>frame for the Galileo:</p> <p><input type="checkbox"/> new Galileo (order by company NOVOTEC) model / typ: _____</p> <p><input type="checkbox"/> available Galileo (from the company NOVOTEC) model / typ: _____</p> <p>Serien-no Galileo: _____ year of manufacture: _____</p> <p>Code 69610</p>	<p>Note: Attachment and the first operation only with staffs of BEROLLKA and NOVOTEC.</p>	<p>Note: the training device Galileo is only available at the company NOVOTEC Medical GmbH I</p>
Standard		

VD2232E-16

Campus Physio Relax Motion 69601 / 69602 / 69603

stander for dorsal position, electric incline adjustable

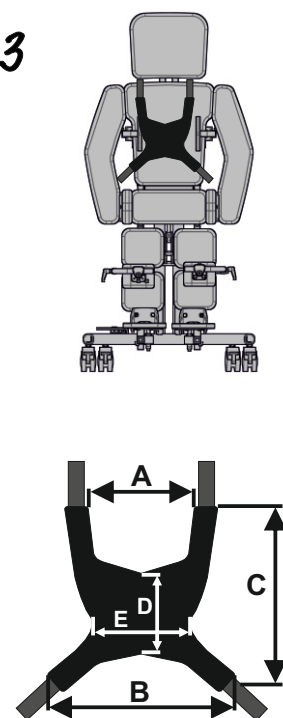
measure chest harness

Size	measure A	measure B	measure C	measure D	measure E
M ₂	11 cm	24 cm	36 cm	14 cm	14 cm
L ₃	16 cm	30 cm	42 cm	15 cm	18 cm
XL ₄	19 cm	32 cm	48 cm	17 cm	21 cm
XXL ₅	21 cm	39 cm	61 cm	19 cm	25 cm

Physio Relax Motion 1

Physio Relax Motion 2

Physio Relax Motion 3



F distance between side pads

Physio Relax Motion size	side pads fixed	side pads swing away / pluggable		
		straight	pad rack 20mm	40mm
1 69601	17 - 26*cm	22 - 31*cm	20 - 27*cm	16 - 23*cm
2 69602	19 - 26*cm	24 - 31*cm	22 - 27*cm	18 - 23*cm
3 69603	20 - 26*cm	24 - 31*cm	22 - 27*cm	18 - 23*cm

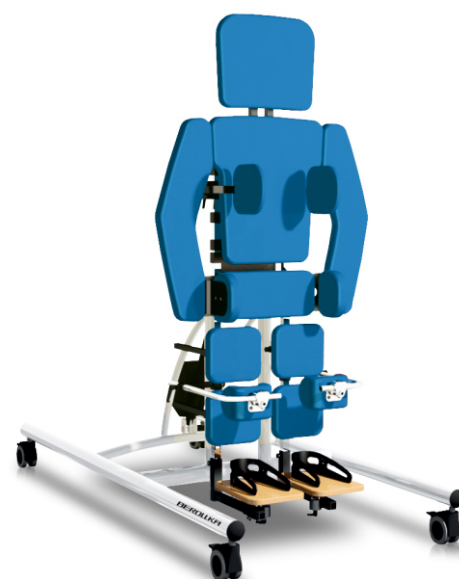
* with movement of arm pads

G distance between pelvis side pads

Physio Relax Motion size	distance between the pelvis side pads
1 69601	17 - 28cm
2 69602	20 - 31cm
3 69603	22 - 33cm

H distance between pelvis strap

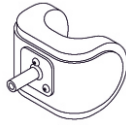
size	distance between the pads of the pelvis strap
S	10 - 22cm
M	18 - 30cm
L	22 - 35cm



knee pads

Vibrant mounting anatomic knee pads standard, single adjustable and rotatable

- Campus 69601
 size S
Campus 69602 / 69603
 size M
measure see technical data



Code 69620

Vibrant mounting of the knee pads special mounting

vibrant dynamic mounted knee pad for active, dynamic positioning of the knee

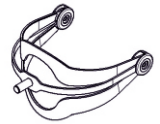
each knee pad is vibrant mounted



(not in combination with CODE 69624)

Vibrant mounting anatomic knee pads "Shark" single adjustable and rotatable

- Campus 69601
 size S
Campus 69602 / 69603
 size M
measure see technical data



Code 69624

(not in combination with CODE 69620)

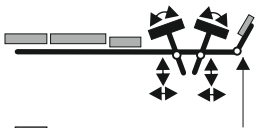
Standard

Pair

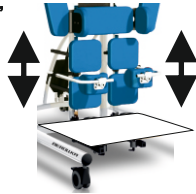
OE 178,- €

leg pads

Vibrant mounting double leg pads per each leg, angle adjustable



Code 69621



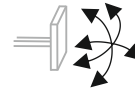
vibrant mounting leg pads for the movement system Galileo

Combination with CODE 69913 or 69914 necessary!

vibrant mounting of the leg pads special mounting

vibrant, dynamic mounted leg pads for active, dynamic support and controlled rotatory mobility

each leg pad is vibrant mounted



Note:
The use must have preceded a medical check up, that the safety of a application confirmed.

Standard

pelvis pads

Pelvis pad depth adjustable and angle adjustable

Code 69630

Pelvis side pads fixed screwed adjustable in the width

distance between the pelvis side pads

_____ cm

Code 69631

Pelvis side pads pluggable with pad holder flat pluggable

distance between the pelvis side pads

_____ cm

Code 69632

(instead pelvis side pads CODE 69633)

Pelvis side pads swing away with pad holder flat swing away

distance between the pelvis side pads

_____ cm

Code 69634

(instead pelvis side pads CODE 69633)

Standard

Pair

OE 268,- €

Pair

OE 278,- €

pelvis pads

Pelvis strap fixed at the pelvis pad

- size S
 size M
 size L

Code 69633

(instead pelvis side pads CODE 69631, 69632 oder 69634)

Piece

OE 256,- €

Pelvis strap additional fixed at the pelvis pad

- size S
 size M
 size L

Code 69633ZU

additional to the pelvis side pads

Piece

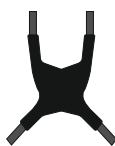
326,- €

measure see technical data

back pad

Chest harness

- Campus 69901
 size M
Campus 69902
 size L
Campus 69903
 size XL



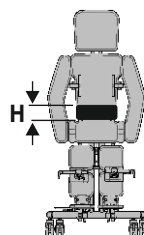
Code 69940

measure see technical data

back pad extension, additional additional back pad between the normal back pack and the pelvis pad

size 1 10cm
size 2/3 12cm

Code 69941



Standard

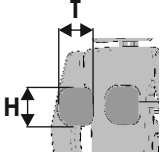
Piece

250,- €

Notes: size S = standard at Campus 69601
knee pads size M = standard at Campus 69602 / 69603
knee pads size M = standard at Campus 69602 / 69603

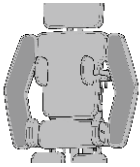
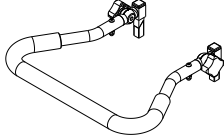
VD2232E-16 Technical changes and print mistakes are reserved.

side pads

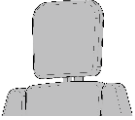
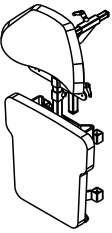
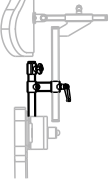
 <p>T H</p> <p>Campus 69601 / 69602 <input type="checkbox"/> S 11cm 8cm Campus 69603 <input type="checkbox"/> M 12cm 11cm</p>	<p>Side pads for thorax rigid (fixed)</p> <p><input type="checkbox"/> right <input type="checkbox"/> left</p> <p>Code 69950</p>	<p>Side pads for thorax swing away</p> <p><input type="checkbox"/> right <input type="checkbox"/> left</p> <p>pad rack <input type="checkbox"/> straight <input type="checkbox"/> 20mm (standard) <input type="checkbox"/> 40mm</p> <p>Code 69951</p>	<p>Side pads for thorax pluggable</p> <p><input type="checkbox"/> right <input type="checkbox"/> left</p> <p>pad rack <input type="checkbox"/> straight <input type="checkbox"/> 20mm (standard) <input type="checkbox"/> 40mm</p> <p>Code 69952</p>	
	<input type="checkbox"/> Pair 242,- €	<input type="checkbox"/> Pair 280,- €	<input type="checkbox"/> Pair 278,- €	

arm pads





accessories

<p>Arm pads pluggable</p>  <p>Code 69955</p>		<p>Hand bow angle adjustable</p>  <p>Code 69959</p>
<input type="checkbox"/> Pair 348,- €		<input type="checkbox"/> Piece 334,- €

head pads

<p>Head pad straight</p>  <p>Code 69945</p>	<p>head pad formed</p>  <p>Code 69946</p>	<p>offset adapter for head pad formed (shell form)</p>  <p>Code 69947</p> <p>only in combination with CODE 69946</p>	
<p>Standard</p>	<input type="checkbox"/> Piece OE 176,- €	<input type="checkbox"/> Piece OE 108,- €	

table

<p>Table (wood) with attachment</p>  <p>Code 69960</p>	<p>Table border 1 piece pluggable</p>  <p>Code 69961</p>	<p>Table plate with hutch (wood)</p>  <p>Code 69962</p>	<p>Table cushion for table plate with cushion black MM190</p>  <p>Code 69966</p>
<input type="checkbox"/> Piece 558,- €	<input type="checkbox"/> Set 160,- €	<input type="checkbox"/> Piece OE 789,- €	<input type="checkbox"/> Piece 318,- €

note

--

VD2232E-16 Technical changes and print mistakes are reserved.

note

VD2232E-16 Technical changes and print mistakes are reserved.

General Terms and Conditions of Business (GTC)

Validity

All sales are subject to our delivery and payment conditions, without any exception. Orders and other agreements will not be valid unless confirmed by us in writing. We expressly object to the customer's purchase conditions.

Quotations and contract conclusion

Quotations are always subject to change, unless they are expressly limited in terms of time. Orders require a written confirmation. After confirmation, prices quoted in orders are fixed but we reserve the right to make adequate price adjustments in the event of price increases for which we are not responsible (e.g. tax increases, wage increases, price changes on the part of our suppliers). Cost estimates for customized products and repairs are always non-binding. We reserve the right to make technical modifications. The contract will not be concluded before the order is confirmed.

Shipment

To the extent the customer has not made any specification, shipment will be made in usual packaging using an adequate method. Insurance will only be taken out upon request and at the expense of the customer.

Delivery will be made carriage forward. We are free to select a method of shipment. If the customer has special requests, e.g. express delivery, express freight, etc., the additional cost will also be borne by the recipient. The goods will always be shipped at the buyer's risk. In case of damage during transport, the recipient must apply for an ascertainment of the facts with the respective forwarding agent.

Prices

All prices quoted by BEROLLKA will be quoted ex works, excluding any applicable statutory value added tax, public charges and levies such as potential customs tariffs, and insurance and packaging costs that will be charged separately.

Minimum quantity surcharge

If a small order is placed with a net value below 20 euros, an additional lump-sum minimum quantity surcharge of 15.00 euros will additionally be charged to cover administrative costs.

Delivery periods

The delivery dates and periods stated are subject to change. Any delay in delivery will not entitle the customer to withdraw from the contract. The assertion of damage claims is ruled out. BEROLLKA can make partial deliveries for justified reasons.

Wrong orders / return of merchandise

Any goods erroneously ordered will only be taken back provided we are responsible for such an error and the merchandise is in impeccable condition. In the event that an item erroneously ordered or merchandise that was returned is taken back in an individual case as a gesture of goodwill, attention must be paid to the following:

1. It is necessary to state the article number, the designation of the article, the date and number of the delivery note and the invoice number.
2. The return shipment must be carriage paid.
3. The merchandise must correspond to the article number(s) listed in the delivery note. In no event will any individual parts removed from an article be taken back.
4. The returned merchandise must be in impeccable condition.
5. Processing fees amounting to 10% of the net merchandise value not, however, less than €35.- will be charged for any instance where goods are taken back.

Deliveries effected more than 3 months earlier as well as sewing pieces and customized products cannot be exchanged. A copy of the delivery note or of the invoice will serve as proof in this regard.

Warranty and notices of defects

Excluding any further claims, the seller is liable for defects of the merchandise in that the seller will mend or replace all those parts free of charge that have become defective or unusable within 6 months due to provable defects of material or workmanship, and of which the seller has been notified in writing immediately after knowledge was gained of the defect. Should longer periods of time be required for statutory reasons, the warranty period is agreed to be 12 months.

The customer must grant the seller the required time and opportunity for effecting delivery of the replacement parts. Replaced parts will become the property of the seller. The buyer must check the merchandise without undue delay after it has been delivered by the seller and, if a defect is found, notify the seller of the defect without undue delay. Should the buyer fail to notify the seller, the merchandise will be deemed accepted unless a defect occurs that could not have been found when the merchandise was checked.

In any event in which a complaint is brought to the notice of BEROLLKA, BEROLLKA invariably has the right to inspect and check the item delivered that is the subject matter of said complaint, for which the customer will grant BEROLLKA the required time and opportunity. BEROLLKA can also demand that the customer sends the item delivered that is the subject matter of a complaint back to BEROLLKA at the expense of BEROLLKA. Should a notice of defects given by the customer turn out to be wilfully or gross negligently unfounded, the customer will be obliged to compensate BEROLLKA for any and all expenses incurred in this connection. BEROLLKA will be entitled to remedy warranty defects at its own discretion either by rectification of the defect or by replacement of the defective part or of the entire item delivered at no cost for the customer. Should the customer itself repair an item that gave rise to a complaint, or should the customer endeavour to rectify the defects itself without prior written approval of the seller, the seller will not grant any claims for reimbursement of expenses (such as transport, road, labour or material costs) or warranty claims.

The following are excluded from the liability for damages:

damage arising from natural wear and tear, damage due to negligent and/or improper treatment, or violent damage. A revocation of the purchase contract, a reduction of the purchase price or damage claims of any kind are ruled out. The warranty obligation will cease if repairs and/or modifications or replacements of individual parts are performed by other parties than the seller or the delivering company.

Reservation of title

With regard to resellers: The merchandise delivered will remain our property until any and all invoices – also for different deliveries – have been fully paid. Our merchandise that is hence still our property may only be resold within the ordinary course of business. Amounts receivable from any resale are assigned to us. We must be notified without undue delay and on the reseller's own initiative of any disposal of said merchandise outside of the ordinary course of business, e.g. through pledging our property or amounts receivable assigned to us.

Terms of payment

Any invoices are payable within 30 days from the date of the invoice strictly net cash. A 2% discount will be granted for payments received within 8 days provided any and all payment claims under earlier deliveries have been settled. We are entitled to charge default interest if the 30-day payment deadline is exceeded. The interest rate will be the customary market rate charged by major banks. We expressly reserve the right to effect delivery with cash on delivery.

Data Protection

BEROLLKA and the customer are responsible themselves for compliance with the respective data protection rules applicable to them. The customer must not provide BEROLLKA with personal data that is illegal or that the customer is not legally authorised to distribute.

The place of performance and the place of jurisdiction will be the place where the invoice is issued.

Heidelberg, Germany, will be the exclusive place of jurisdiction for any and all disputes arising under the contractual relationship. However, BEROLLKA is entitled to sue the customer at any other legal venue. These General Terms and Conditions of Business are governed by the laws of the Federal Republic of Germany, excluding of the United Nations Convention on Contracts for the International Sale of Goods of Goods (CISG).

Technical modifications and printing errors excepted. A current list of prices can be ordered at any time.