

Adress

Shipping address see address

Com.:

Order
 Estimate



Price valid from January 1st 2024 (until revoked)

Purchaser: _____

Telephone: _____

Additional order sheet for wheelchairs

Advice: Price reduction for back upholstery on the wheelchairs are considered!



Fidibus seat -/ back system

anatomically shaped seat cushion

Very light seat cushion with integrated aluminium plate with breathable fabric cover. The anatomically seat cushion offers optimised positioning and adequate pelvis stability.

anatomically shaped back cushion

Very light back cushion with integrated concave aluminium plate with breathable fabric cover. Due to the semicircle form of the aluminium plate is mounting between the backpipes trouble free.

seat width SW	size	seat depth SD	seat width SW	size	back height BH
<input type="checkbox"/> 24cm	<div style="border: 1px solid black; padding: 5px; width: fit-content; margin: auto;"> Height of the anatomical seat cushion front 5cm back 3cm </div>	<input type="checkbox"/> 26cm	<input type="checkbox"/> 24cm	<div style="border: 1px solid black; padding: 5px; width: fit-content; margin: auto;"> Cushion thickness Back = 3cm </div>	<input type="checkbox"/> 20cm to shoulder line
<input type="checkbox"/> 26cm		<input type="checkbox"/> 28cm	<input type="checkbox"/> 26cm		<input type="checkbox"/> 25cm to shoulder line
<input type="checkbox"/> 28cm		<input type="checkbox"/> 30cm	<input type="checkbox"/> 28cm		<input type="checkbox"/> 30cm to shoulder line
<input type="checkbox"/> 30cm		<input type="checkbox"/> 32cm	<input type="checkbox"/> 30cm		<input type="checkbox"/> 35cm to shoulder line
<input type="checkbox"/> 32cm		<input type="checkbox"/> 34cm	<input type="checkbox"/> 32cm		<input type="checkbox"/> 40cm to shoulder line
<input type="checkbox"/> 34cm		<input type="checkbox"/> 36cm	<input type="checkbox"/> 34cm		
<input type="checkbox"/> 36cm		<input type="checkbox"/> 38cm	<input type="checkbox"/> 36cm		
<input type="checkbox"/> 38cm		<input type="checkbox"/> 40cm	<input type="checkbox"/> 38cm		
<input type="checkbox"/> 40cm		<input type="checkbox"/> 42cm	<input type="checkbox"/> 40cm		

anatomically shaped seat
Alu-plate with laminated cushion and cover

CODE 2291 **568,00 €**

SP: 25 350 00

Advice: seat upholstery is needed for seat cushion !

anatomically shaped back 30mm CODE 2292
Alu-back plate with laminated cushion and cover SP: 25 230 00

anatomically shaped back 50mm CODE 2292-5
Alu-back plate 50mm with laminated cushion and cover SP: 25 230 05

586,00 €

Advice: anatomically backinstead back upholstery !

Breathable fabric color:

<input type="checkbox"/> AG410 yellow	<input type="checkbox"/> AG441 pink	<input type="checkbox"/> AG451 king blue	<input type="checkbox"/> AG470 grey
<input type="checkbox"/> AG430 red	<input type="checkbox"/> AG450 ultramarine	<input type="checkbox"/> AG460 lemon	<input type="checkbox"/> AG490 black

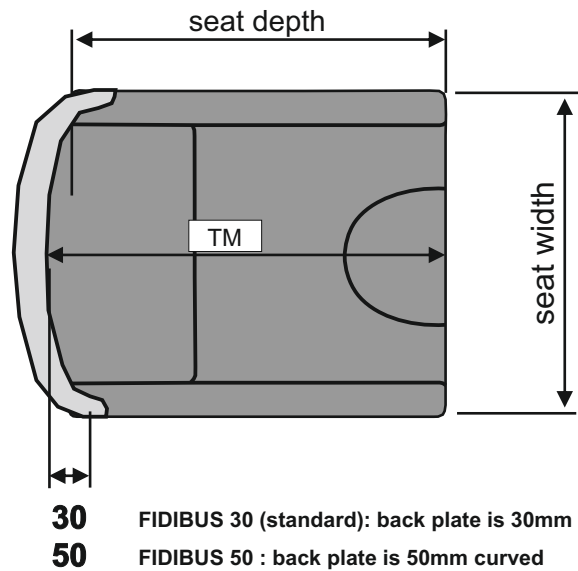
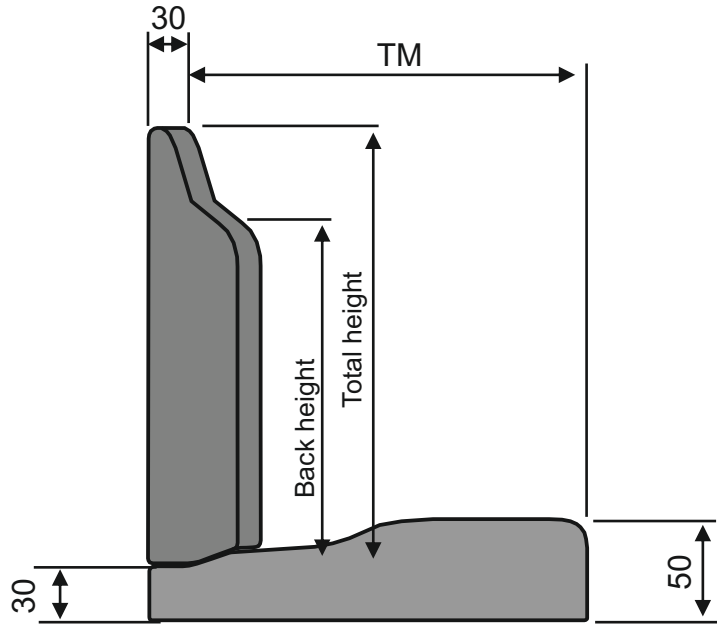
Combination seat and back

<input type="checkbox"/>	anatomically shaped seat and back 30 (standard)	1108,00 €
CODE 2290	anatomically shaped seat and anatomically shaped back 30 <small>Advice: Due to combination from seat and back cushion, the outgoing seat depth will be 2cm more (cause of the curved back)</small>	
<input type="checkbox"/>	anatomically shaped seat and back 50*	1108,00 €
CODE 2290-5	anatomically shaped seat and anatomically shaped back 50 <small>Advice: Due to combination from seat and back cushion, the outgoing seat depth will be 4cm more (cause of the curved back)</small>	

<input type="checkbox"/> changing cover for seat FIDIBUS additional seat cover for change (without seat cushion)	179,00 €	<input type="checkbox"/> changing cover for back FIDIBUS additional back cover for changing (without back pads)	191,00 €
CODE 2297S <small>SP: 25 351 81</small>		CODE 2297R <small>SP: 25 231 81</small> FIDIBUS 30	
		CODE 2297R-5 <small>SP: 25 231 88</small> FIDIBUS 50	

* FIDIBUS 50 not with all products possible !!!

Overview measure



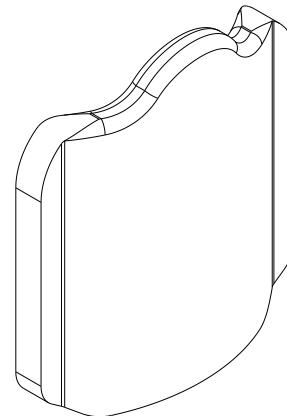
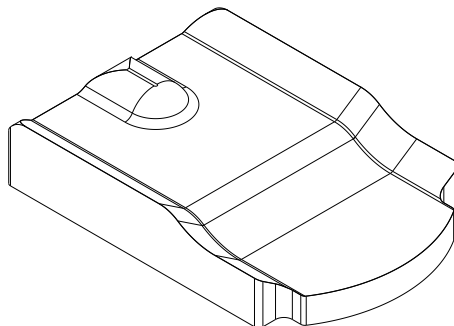
Note:

TM = seat depth measured in the middle

at FIDIBUS with 30mm curved back
is the seat depth middle (TM) = seat depth + 20mm

at FIDIBUS with 50mm curved back
is the seat depth middle (TM) = seat depth +40mm

30 FIDIBUS 30 (standard): back plate is 30mm curved
50 FIDIBUS 50 : back plate is 50mm curved



Notice:

the back FIDIBUS 50 (with 50mm curved) is not possible at all products !
not possible at : Traxx, TraxxTT, Slash and Yuki

Side pas curved / slim form for Fidibus

Side pads for FIDIBUS back:

width between pads (thorax width) see down

<input type="checkbox"/>	CODE 2292P1 ET 25 232 00	Side pads rigid straight	298,00 € / Pair
<input type="checkbox"/>	CODE 2292P2 ET 25 232 50	Side pads rigid offset (20mm)	298,00 € / Pair
<input type="checkbox"/>	CODE 2292PA ET 25 233 00	Side pads removeable (holder flat)	468,00 € / Pair
<input type="checkbox"/>	CODE 2292PS ET 25 233 50	Side pads pluggable (holder flat)	468,00 € / Pair

Size side pads:

- size XL (2) SW 38cm-46cm
- size L (1) SW 30cm-36cm
- size M SW 26cm-32cm
- size S (0) SW 18cm-24cm

upholstery fabric: MM190 black (imitation leather Capri)

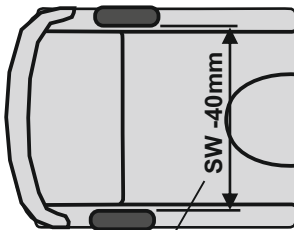
Comment:

from BH 30cm

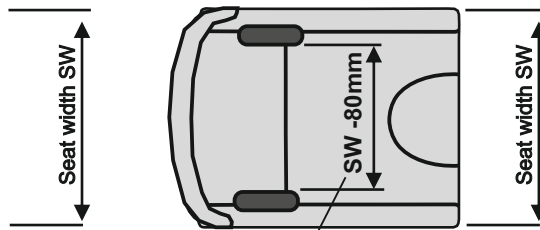
side pads straight

side pads offset (20mm)

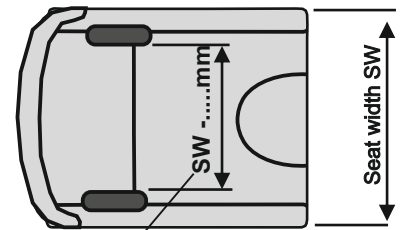
side pads removeable / pluggable



thorax width



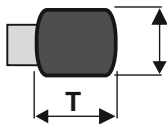
thorax width



thorax width

rack for pelotte straight = SW-25mm
 rack for pelotte 20mm = SW-65mm
 rack for pelotte 40mm = SW-105mm

Side pads



	T	S
size XL	205mm	100mm
size L	180mm	80mm
size M	150mm	70mm
size S	120mm	60mm

Extension side pads

height H

to up

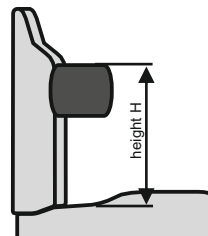


H = BH + 0,5cm
 H = BH - 1,5cm
 H = BH - 3,5cm

to down



H = BH - 9,5cm
 H = BH - 7,5cm
 H = BH - 5,5cm



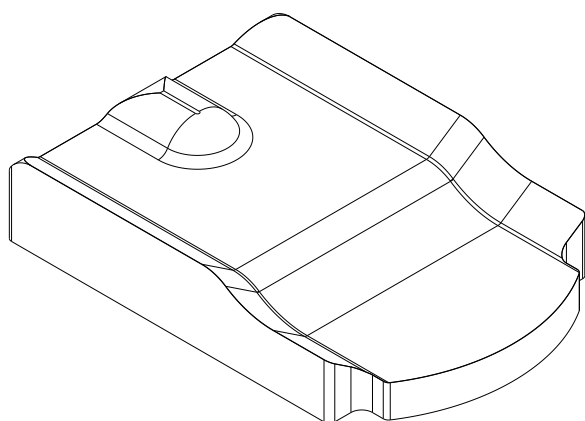
Height the side pads: _____ mm

(from the rear seat to the upper edge of the side pad)

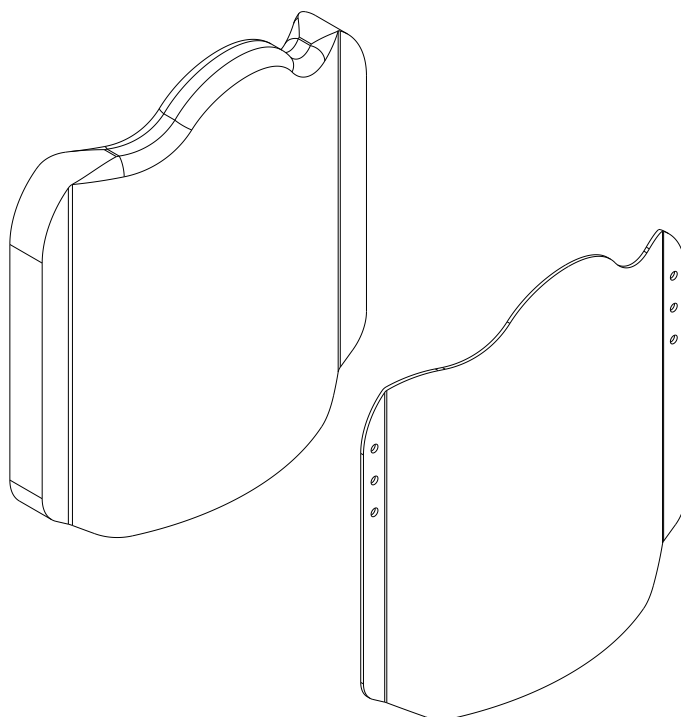
FIDIBUS-ASR

Seat system and 2-part back system (Alu-shaped back)

anatomically shaped seat



anatomically shaped back system ASR
and
separate alu back plate ASR



FIDIBUS-ASR

Seat cushion and two-part back system (Alu-shaped-back)

anatomically shaped seat

Very light cushion with integrated aluminium plate with breathable fabric cover. The anatomically seat cushion offers optimised positioning and adequate pelvis stability.

anatomically shaped cushion ASR and separately Alu-back plate ASR

Very light back cushion with breathable fabric cover combined with a curved aluminium plate. Very optimal mounting between the back tubes due to the curved form of the aluminium back. **Advice:** aluminium plate is 2cm lower than the back height BH II

Additional order sheet for wheelchairs

Seat width SW	measure	Seat depth SD	Seat width SW	measure	back height BH
<input type="checkbox"/> 24cm	<div style="border: 1px solid black; padding: 5px; width: fit-content; margin: auto;"> Height of the anatomic seat cushion front 5cm back 3cm </div>	<input type="checkbox"/> 26cm	<input type="checkbox"/> 24cm	<div style="border: 1px solid black; padding: 5px; width: fit-content; margin: auto;"> Cushion thickness Back = 3cm </div>	<input type="checkbox"/> 20cm to shoulder line
<input type="checkbox"/> 26cm		<input type="checkbox"/> 28cm	<input type="checkbox"/> 26cm		<input type="checkbox"/> 25cm to shoulder line
<input type="checkbox"/> 28cm		<input type="checkbox"/> 30cm	<input type="checkbox"/> 28cm		<input type="checkbox"/> 30cm to shoulder line
<input type="checkbox"/> 30cm		<input type="checkbox"/> 32cm	<input type="checkbox"/> 30cm		<input type="checkbox"/> 35cm to shoulder line
<input type="checkbox"/> 32cm		<input type="checkbox"/> 34cm	<input type="checkbox"/> 32cm		<input type="checkbox"/> 40cm to shoulder line
<input type="checkbox"/> 34cm		<input type="checkbox"/> 36cm	<input type="checkbox"/> 34cm		
<input type="checkbox"/> 36cm		<input type="checkbox"/> 38cm	<input type="checkbox"/> 36cm		
<input type="checkbox"/> 38cm		<input type="checkbox"/> 40cm	<input type="checkbox"/> 38cm		
<input type="checkbox"/> 40cm		<input type="checkbox"/> 42cm	<input type="checkbox"/> 40cm		

Note:		total height
SW 24cm		BH +3,5cm
SW 26cm		BH +4,0cm
SW 28-32cm		BH +4,5cm
SW 34-40cm		BH +5,0cm

anatomically shaped seat
Alu-plate with laminated cushion and cover

CODE 2291 **568,00 € / Piece**
ET: 25 350 00

Note: seat upholstery is needed for seat cushion!

anatomically shaped seat foam
Alu-plate with foam (without cover)

CODE 2293 **444,00 € / Piece**
ET: 25 351 00

Note: for using in a wheelchair you need a seat upholstery !

Accessory for seat cushion:

changing cover for seat cushion
additional seat cover for changing (without cushion)

CODE 2297S **179,00 € / Piece**
ET: 25 351 81

anatomically shaped back plate ASR
Alu-back plate **raw** rounded / curved and beveled (without cushion)

CODE 2296 SP: 25 236 90 FIDIBUS-ASR 30 **304,00 €**

CODE 2296-5 SP: 25 238 90 FIDIBUS-ASR 50

anatomically shaped back plate ASR
Alu- back plate **powder coated**, rounded / curved and beveled (without cushion)

colour: _____

CODE 2296B SP: 25 236 91 FIDIBUS-ASR 30 **356,00 €**

CODE 2296B-5 SP: 25 238 91 FIDIBUS-ASR 50

anatomically shaped back cushion ASR
back cushion (foam) with cover (without alu back plate)

CODE 2296A SP: 25 236 50 FIDIBUS-ASR 30 **363,00 €**

CODE 2296A-5 SP: 25 238 50 FIDIBUS-ASR 50

changing back cover FIDIBUS-ASR
additional back cover for changing (without back cushion)

CODE 2296R SP: 25 238 81 FIDIBUS-ASR 30 **198,00 €**

CODE 2296R-5 SP: 25 238 81 FIDIBUS-ASR 50

Breathable fabric colour:

<input type="checkbox"/> AG410 yellow	<input type="checkbox"/> AG441 pink	<input type="checkbox"/> AG451 king blue	<input type="checkbox"/> AG470 grey
<input type="checkbox"/> AG430 red	<input type="checkbox"/> AG450 ultramarine	<input type="checkbox"/> AG460 lemon	<input type="checkbox"/> AG490 black

Combination seat and back

anatomically shaped seat and back ASR 30 (standard) **1265,00 €**
anatomically shaped seat and anatomically shaped back ASR 30
Advice: Due to combination from seat and back cushion, the outcoming seat depth will be 2cm more (cause of the curved back)

anatomically shaped seat and back ASR 50 * **1265,00 €**
anatomically shaped seat and anatomically shaped back ASR 50
Advice: Due to combination from seat and back cushion, the outcoming seat depth will be 4cm more (cause of the curved back)

Advice: alu-back plate is 2cm lower than back height BH II

Technical changes and print mistakes are reserved

VD2620E-30

FIDIBUS-CARBON

Seat cushion and two-part back system (CARBON-Shell-Back)

anatomically shaped seat

anatomically shaped cushion and separately CARBON-back shell

Very light cushion with integrated aluminium plate with breathable fabric cover. The anatomically seat cushion offers optimised positioning and adequate pelvis stability.

Very light back cushion with breathable fabric cover combined with a curved Carbon back plate. Very optimal mounting between the back tubes due to the curved form of the Carbon back.

Seat width SW		measure	Seat depth SD		Seat width SW		measure	Back height BH				
<input type="checkbox"/>	24cm	<div style="border: 1px solid black; padding: 5px; width: fit-content; margin: auto;"> Height of the anatomich seat cushion front 5cm back 3cm </div>	<input type="checkbox"/>	26cm	<input type="checkbox"/>	24cm	<input type="checkbox"/>	20cm to shoulder cut-out (total height 25cm)				
<input type="checkbox"/>	26cm		<input type="checkbox"/>	28cm	<input type="checkbox"/>	26cm	<input type="checkbox"/>	25cm to shoulder cut-out (total height 30cm)				
<input type="checkbox"/>	28cm		<input type="checkbox"/>	30cm	<input type="checkbox"/>	28cm	<input type="checkbox"/>	30cm to shoulder cut-out (total height 35cm)				
<input type="checkbox"/>	30cm		<input type="checkbox"/>	32cm	<input type="checkbox"/>	30cm	<input type="checkbox"/>	35cm to shoulder cut-out (total height 40cm)				
<input type="checkbox"/>	32cm		<input type="checkbox"/>	34cm	<input type="checkbox"/>	32cm	<input type="checkbox"/>	40cm to shoulder cut-out (total height 45cm)				
<input type="checkbox"/>	34cm		<div style="border: 1px solid black; padding: 5px; width: fit-content; margin: auto;"> Cushion thickness Back = 3cm </div>	<input type="checkbox"/>	36cm	<input type="checkbox"/>	34cm					
<input type="checkbox"/>	36cm			<input type="checkbox"/>	38cm	<input type="checkbox"/>	36cm					
<input type="checkbox"/>	38cm			<input type="checkbox"/>	40cm	<input type="checkbox"/>	38cm					
<input type="checkbox"/>	40cm			<input type="checkbox"/>	42cm	<input type="checkbox"/>	40cm					
<input type="checkbox"/> anatomically shaped Seat Alu-plate with laminated cushion and cover CODE 2291 568,00 € / Piece ET: 25 350 00 Note: seat upholstery is needed for seat cushion !					<input type="checkbox"/> anatomically shaped Carbon-Shell Carbon-back curved / rounded and beveled (without cushion) CODE 2296CAR 688,00 € / Piece ET: 25 237 91							
<input type="checkbox"/> anatomically shaped seat foam Alu-plate with foam (without cover) CODE 2293 444,00 € / Piece ET: 25 351 00 Note: for using in a wheelchair you need a seat upholstery !					<input type="checkbox"/> anatomically shaped back cushion back cushion (foam) with cover (without shell) CODE 2296C 363,00 € / Piece ET: 25 236 50							
Accessory for seat cushion: <input type="checkbox"/> changing cover for seat cushion additional seat cover for changing (without cushion) CODE 2297S 179,00 € / Piece ET: 25 351 81					Accessory for back cushion: <input type="checkbox"/> changing back cover (CARBON-shell) additional back cover for change (without back cushion) CODE 2296W 198,00 € / Piece ET: 25 236 81							
Breathable fabric color:					<input type="checkbox"/> AG410 yellow	<input type="checkbox"/> AG441 pink	<input type="checkbox"/> AG451 king blue	<input type="checkbox"/> AG470 grey	<input type="checkbox"/> AG430 red	<input type="checkbox"/> AG450 ultramarine	<input type="checkbox"/> AG460 lemon	<input type="checkbox"/> AG490 black



FIDIBUS with Clips

seat system and back system with clips

(for foldable wheelchair)

for wheelchair:
 - JUNIOR2
 - LITTLE
 - RYDER

anatomic formed seat

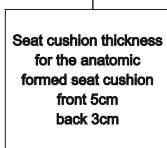
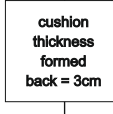
anatomic formed back with clips

Seat cushion FIDIBUS (standard) for foldable wheelchair only if attached the FIDIBUS-Rücken

Back by clips removeable special for folding wheelchair

Extrem light ergonomic seat cushion with included aluminium plate and with breathable fabric. The anatomically seat cushion offers optimised positioning and adequate pelvis stability.

extreme light ergonomic backrest cushion with curved dished aluminium plate and with breathable fabric. Through the semicircular shape of the back plate the back can be optimally mounted to the back tubes of the wheelchair (with clips).

Seat width SW	measure	Seat depth SD	Seat width SW	measure	back height BH										
<input type="checkbox"/> 24cm	 <p>Seat cushion thickness for the anatomic formed seat cushion front 5cm back 3cm</p>	<input type="checkbox"/> 26cm	<input type="checkbox"/> 24cm	 <p>cushion thickness formed back = 3cm</p>	<input type="checkbox"/> 25cm to shoulder cutout										
<input type="checkbox"/> 26cm		<input type="checkbox"/> 28cm	<input type="checkbox"/> 26cm		<input type="checkbox"/> 30cm to shoulder cutout										
<input type="checkbox"/> 28cm		<input type="checkbox"/> 30cm	<input type="checkbox"/> 28cm		<input type="checkbox"/> 35cm to shoulder cutout										
<input type="checkbox"/> 30cm		<input type="checkbox"/> 32cm	<input type="checkbox"/> 30cm		<input type="checkbox"/> 40cm to shoulder cutout										
<input type="checkbox"/> 32cm		<input type="checkbox"/> 34cm	<input type="checkbox"/> 32cm												
<input type="checkbox"/> 34cm		<input type="checkbox"/> 36cm	<input type="checkbox"/> 34cm												
<input type="checkbox"/> 36cm		<input type="checkbox"/> 38cm	<input type="checkbox"/> 36cm												
							<table border="1"> <tr> <td>Note:</td> <td>total height</td> </tr> <tr> <td>SW 24cm</td> <td>BH +3,5cm</td> </tr> <tr> <td>SW 26cm</td> <td>BH +4,0cm</td> </tr> <tr> <td>SW 28-32cm</td> <td>BH +4,5cm</td> </tr> <tr> <td>SW 34-40cm</td> <td>BH +5,0cm</td> </tr> </table>	Note:	total height	SW 24cm	BH +3,5cm	SW 26cm	BH +4,0cm	SW 28-32cm	BH +4,5cm
Note:	total height														
SW 24cm	BH +3,5cm														
SW 26cm	BH +4,0cm														
SW 28-32cm	BH +4,5cm														
SW 34-40cm	BH +5,0cm														

<input type="checkbox"/> anatomically shaped seat Alu-plate with laminated cushion and cover Seat cushion FIDIBUS (standard) for foldable wheelchair only if attached the FIDIBUS-Rücken CODE 2291 SP: 25 350 00 568,00 € Note: for mounting in a wheelchair you need a seat fabric !	<input type="checkbox"/> anatomically shaped back 30mm Alu-back plate 30mm with laminated cushion and cover CODE 2292F SP: 25 230 60 <input type="checkbox"/> anatomically shaped back 50mm Alu-back plate 50mm with laminated cushion for foldable wheelchairs and cover and with clips for mounting at the back pipe CODE 2292F-5 SP: 25 230 65 626,00 € Note: anatomically back with clips instead an back cover at the wheelchair!
--	--

Breathable fabric colour:

<input type="checkbox"/> AG410 yellow	<input type="checkbox"/> AG441 pink	<input type="checkbox"/> AG451 king blue	<input type="checkbox"/> AG470 grey
<input type="checkbox"/> AG430 red	<input type="checkbox"/> AG450 ultramarine	<input type="checkbox"/> AG460 lemon	<input type="checkbox"/> AG490 black

Combination seat and back with clips

<input type="checkbox"/>	anatomically shaped seat and back 30 (standard)	1150,00 €
CODE 2290F	anatomically shaped seat and anatomically shaped back 30 with Clips for removable, especially for foldable wheelchair or wheelchair with tiltable back <i>Note. with combination from seat and back parts the outcoming seat depth will be 2cm more (cause of the curved back plate)</i>	
<input type="checkbox"/>	anatomically shaped seat and back 50	1150,00 €
CODE 2290F-5	anatomically shaped seat and anatomically shaped back 50 with Clips for removable, especially for foldable wheelchair or wheelchair with tiltable back <i>Note. with combination from seat and back parts the outcoming seat depth will be 4cm more (cause of the curved back plate)</i>	

<input type="checkbox"/> changing cover for seat cushion additional seat cover for changing (without cushion) CODE 2297S SP 25 351 81 179,00 €	<input type="checkbox"/> changing back cover FIDIBUS additional back cover for changing (without back cushion) CODE 2297R SP: 25 231 81 FIDIBUS 30 CODE 2297R-5 SP: 25 231 86 FIDIBUS 50 191,00 €
--	---

(Special measure please written enquiry extra)

FIDIBUS-ASR mit Clips

für Rollstuhl:
- Findus
(bei Rückenabklappbar)

Seat system and 2-part back system (Alu-Shell-back) with Clips (for rigid frame wheelchairs)

anatomically shaped seat

anatomically shaped back cushion ASR
and
separately Alu-back plate ASR with Clips

Very light cushion with integrated aluminium plate with breathable fabric cover.
The anatomically seat cushion offers optimised positioning and adequate pelvis stability.

Very light back cushion with breathable fabric cover combined with a curved aluminium plate.
Very optimal mounting between the back tubes due to the curved form of the aluminium back.
Advice: aluminium plate is 2cm lower than the back height BH !!

Seat width SW	measure	Seat depth SD
<input type="checkbox"/> 24cm	<div style="border: 1px solid black; padding: 5px; width: fit-content; margin: auto;"> Height of the anatomic seat cushion front 5cm back 3cm </div>	<input type="checkbox"/> 26cm
<input type="checkbox"/> 26cm		<input type="checkbox"/> 28cm
<input type="checkbox"/> 28cm		<input type="checkbox"/> 30cm
<input type="checkbox"/> 30cm		<input type="checkbox"/> 32cm
<input type="checkbox"/> 32cm		<input type="checkbox"/> 34cm
<input type="checkbox"/> 34cm		<input type="checkbox"/> 36cm
<input type="checkbox"/> 36cm		<input type="checkbox"/> 38cm
<input type="checkbox"/> 38cm		<input type="checkbox"/> 40cm
<input type="checkbox"/> 40cm		<input type="checkbox"/> 42cm

Seat width SW	measure	back height BH
<input type="checkbox"/> 24cm	<div style="border: 1px solid black; padding: 5px; width: fit-content; margin: auto;"> Cushion thickness Back = 3cm </div>	<input type="checkbox"/> 20cm to shoulder line
<input type="checkbox"/> 26cm		<input type="checkbox"/> 25cm to shoulder line
<input type="checkbox"/> 28cm		<input type="checkbox"/> 30cm to shoulder line
<input type="checkbox"/> 30cm		<input type="checkbox"/> 35cm to shoulder line
<input type="checkbox"/> 32cm		<input type="checkbox"/> 40cm to shoulder line
<input type="checkbox"/> 34cm		
<input type="checkbox"/> 36cm		
<input type="checkbox"/> 38cm		
<input type="checkbox"/> 40cm		

Note:

	total height
SW 24cm	BH +3,5cm
SW 26cm	BH +4,0cm
SW 28-32cm	BH +4,5cm
SW 34-40cm	BH +5,0cm

anatomically shaped seat
Alu-plate with laminated cushion and cover

CODE 2291 **568,00 €**
ET: 25 350 00

Note: for using in a wheelchair you need a seat upholstery !

anatomically shaped seat foam
Alu-plate with foam (without cover)

CODE 2293 **444,00 €**
ET: 25 351 00

Note: for using in a wheelchair you need a seat upholstery !

accessory for seat cushion:

changing cover for seat cushion
additional seat cover for changing (without cushion)

CODE 2297S **179,00 €**
ET: 25 351 81

anatomically shaped back plate ASR with Clips for rigid frame wheelchair

Alu-back plate **powder coated**, rounded gerundet und beveled with Clips (without foam)

colour: _____

CODE 2294C ET: 25 236 25 FIDIBUS-ASR 30 **425,00 €**
 CODE 2294C-5 ET: 25 238 25 FIDIBUS-ASR 50

anatomically shaped back cushion ASR
back cushion (foam) with cushion (without plate)

CODE 2296A ET: 25 236 50 FIDIBUS-ASR 30 **363,00 €**
 CODE 2296A-5 ET: 25 238 50 FIDIBUS-ASR 50

changing back cover FIDIBUS-ASR
additional back cover for changing (without back cushion)

CODE 2296R ET: 25 238 81 FIDIBUS-ASR 30 **198,00 €**
 CODE 2296R-5 ET: 25 238 81 FIDIBUS-ASR 50

Breathable fabric colour:

<input type="checkbox"/> AG410 yellow	<input type="checkbox"/> AG441 pink	<input type="checkbox"/> AG451 king blue	<input type="checkbox"/> AG470 grey
<input type="checkbox"/> AG430 red	<input type="checkbox"/> AG450 ultramarine	<input type="checkbox"/> AG460 lemon	<input type="checkbox"/> AG490 black

Note: back plate is 2cm lower than back height BH !!

Technical changes and print mistakes are reserved

VD2620E-30

FIDIBUS-ASR with Clips

for wheelchair:
- Junior2
- Little

Seat system and 2-part back system (Alu-shell-back) with Clips (for foldable wheelchair)

anatomically shaped seat

anatomically shaped back cushion ASR
and
separately Alu-back plate ASR with Clips

Very light cushion with integrated aluminium plate with breathable fabric cover.
The anatomically seat cushion offers optimised positioning and adequate pelvis stability.

Very light back cushion with breathable fabric cover combined with a curved aluminium plate.
Very optimal mounting between the back tubes due to the curved form of the aluminium back.
Advice: aluminium plate is 2cm lower than the back height BH !!

Seat width SW	measure	Seat depth SD
<input type="checkbox"/> 24cm	<div style="border: 1px solid black; padding: 5px; width: fit-content; margin: auto;"> Height of the anatomic seat cushion front 5cm back 3cm </div>	<input type="checkbox"/> 26cm
<input type="checkbox"/> 26cm		<input type="checkbox"/> 28cm
<input type="checkbox"/> 28cm		<input type="checkbox"/> 30cm
<input type="checkbox"/> 30cm		<input type="checkbox"/> 32cm
<input type="checkbox"/> 32cm		<input type="checkbox"/> 34cm
<input type="checkbox"/> 34cm		<input type="checkbox"/> 36cm
<input type="checkbox"/> 36cm		<input type="checkbox"/> 38cm
<input type="checkbox"/> 38cm		<input type="checkbox"/> 40cm
<input type="checkbox"/> 40cm		<input type="checkbox"/> 42cm

Seat width SW	mesure	back height BH
<input type="checkbox"/> 24cm	<div style="border: 1px solid black; padding: 5px; width: fit-content; margin: auto;"> Cushion thickness Back = 3cm </div>	<input type="checkbox"/> 20cm to shoulder line
<input type="checkbox"/> 26cm		<input type="checkbox"/> 25cm to shoulder line
<input type="checkbox"/> 28cm		<input type="checkbox"/> 30cm to shoulder line
<input type="checkbox"/> 30cm		<input type="checkbox"/> 35cm to shoulder line
<input type="checkbox"/> 32cm		<input type="checkbox"/> 40cm to shoulder line
<input type="checkbox"/> 34cm		
<input type="checkbox"/> 36cm		
<input type="checkbox"/> 38cm		
<input type="checkbox"/> 40cm		

Note:

	total height
SW 24cm	BH +3,5cm
SW 26cm	BH +4,0cm
SW 28-32cm	BH +4,5cm
SW 34-40cm	BH +5,0cm

anatomically shaped seat
Alu-plate with laminated cushion and cover

CODE 2291 **568,00 €**
ET: 25 350 00

Note: for using in a wheelchair you need a seat upholstery !
for wheelchair with wheelchair back upholstery please take the seat system FIDIBUS-F II

anatomically shaped seat foam
Alu-plate with foam (without cover)

CODE 2293 **444,00 €**
ET: 25 351 00

Note: for using in a wheelchair you need a seat upholstery !

accessory for seat cushion:

changing cover for seat cushion
additional seat cover for changing (without cushion)

CODE 2297S **179,00 €**
ET: 25 351 81

anatomically shaod back plate ASR with Clips for foldable wheelchair

Alu-back plate **powder coated**, rounded gerundet und beveled with Clips (without foam)

colour: _____

CODE 2294F ET: 25 236 35 FIDIBUS-ASR 30 **425,00 €**
 CODE 2294F-5 ET: 25 238 35 FIDIBUS-ASR 50

anatomically shaped back cushion ASR
back cushion (foam) with cushion (without plate)

CODE 2296A ET: 25 236 50 FIDIBUS-ASR 30 **363,00 €**
 CODE 2296A-5 ET: 25 238 50 FIDIBUS-ASR 50

changing back cover FIDIBUS-ASR
additional back cover for changing (without back cushion) **198,00 €**

CODE 2296R ET: 25 238 81 FIDIBUS-ASR 30
 CODE 2296R-5 ET: 25 238 81 FIDIBUS-ASR 50

Breathable fabric colour:

<input type="checkbox"/> AG410 yellow	<input type="checkbox"/> AG441 pink	<input type="checkbox"/> AG451 king blue	<input type="checkbox"/> AG470 grey
<input type="checkbox"/> AG430 red	<input type="checkbox"/> AG450 ultramarine	<input type="checkbox"/> AG460 lemon	<input type="checkbox"/> AG490 black

Note: back plate is 2cm lower than back height BH II

Technical changes and print mistakes are reserved

VD2620E-30

FIDIBUS-F

Seat cushion for wheelchairs with back upholstery

anatomically shaped seat

For foldable wheelchairs: JUNIOR2, LITTLE*

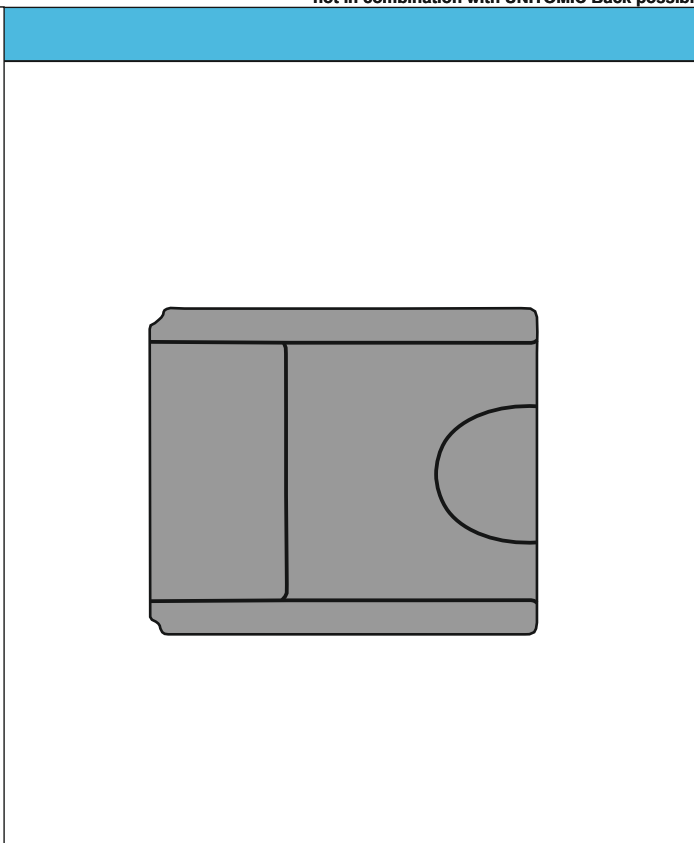
For rigid frame wheelchairs: FINDUS, FILOU, TRAXX, SLASH*

* not in combination with UNITOMIC Back possible

Very light cushion with integrated aluminium plate with breathable fabric cover.
The anatomically seat cushion offers optimised positioning and adequate pelvis stability.

Additional order sheet for wheelchairs

Seat width SW	measure	Seat depth SD
<input type="checkbox"/> 24cm	Height of the anatomich seat cushion front 5cm back 3cm	<input type="checkbox"/> 26cm
<input type="checkbox"/> 26cm		<input type="checkbox"/> 28cm
<input type="checkbox"/> 28cm		<input type="checkbox"/> 30cm
<input type="checkbox"/> 30cm		<input type="checkbox"/> 32cm
<input type="checkbox"/> 32cm		<input type="checkbox"/> 34cm
<input type="checkbox"/> 34cm		<input type="checkbox"/> 36cm
<input type="checkbox"/> 36cm		<input type="checkbox"/> 38cm
<input type="checkbox"/> 38cm		<input type="checkbox"/> 40cm
<input type="checkbox"/> 40cm		<input type="checkbox"/> 42cm



anatomically shaped Seat FIDIBUS-F

Alu-plate with laminated cushion and cover. The seat cushion is on the back side straight (especially for wheelchairs with back upholstery).

CODE 2291F **568,00 € / Piece**
ET: 25 355 00

Note: seat upholstery is needed for seat cushion !

anatomically shaped seat foam FIDIBUS-F

Alu-plate with foam (without cover)

CODE 2293F **444,00 € / Piece**
ET: 25 356 00

Note: for using in a wheelchair you need a seat upholstery !

Accessory for seat cushion:

changing cover for seat cushion FIDIBUS-F
additional seat cover for change (without cushion)

CODE 2297F **179,00 € / Piece**
ET: 25 356 81

anatomically shaped Seat FIDIBUS-F without alu-plate

Cushion with cover (without alu-plate). The seat cushion is on the back side straight (especially for wheelchairs with back upholstery).

CODE 2291FOB **508,00 € / Piece**
ET: 25 355 50

Note: seat upholstery is needed for seat cushion !

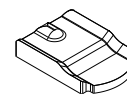
Breathable fabric color:

- | | |
|--|--|
| <input type="checkbox"/> AG410 yellow | <input type="checkbox"/> AG451 king blue |
| <input type="checkbox"/> AG430 red | <input type="checkbox"/> AG460 lemon |
| <input type="checkbox"/> AG441 pink | <input type="checkbox"/> AG470 grey |
| <input type="checkbox"/> AG450 ultramarine | <input type="checkbox"/> AG490 black |

Technical changes and print mistakes are reserved

VD2620E-30

FIDIBUS Special sizes



Special sizes for the FIDIBUS seat cushion

additional prices of the FIDIBUS seat cushion in special sizes

special seat width SW FIDIBUS seat cushion with special seat width SW 18 - 22cm or special seat width SW 42 - 50cm <small>only in combination with seat cushion CODE 2291 or 2291F</small>	smaller seat widths		larger seat widths	
	<input type="checkbox"/> 18cm <input type="checkbox"/> 20cm <input type="checkbox"/> 22cm		<input type="checkbox"/> 42cm <input type="checkbox"/> 44cm <input type="checkbox"/> 46cm	<input type="checkbox"/> 48cm <input type="checkbox"/> 50cm
additional price for special seat width	CODE 2292SW22	98,00 €	CODE 2292SW50	98,00 €

special seat depth SD FIDIBUS seat cushion with special seat depth SD 18 - 24cm or special seat depth SD 44 - 50cm <small>only in combination with seat cushion CODE 2291 or 2291F</small>	shorter seat depth		longer seat depth	
	<input type="checkbox"/> 18cm <input type="checkbox"/> 20cm	<input type="checkbox"/> 22cm <input type="checkbox"/> 24cm	<input type="checkbox"/> 44cm <input type="checkbox"/> 46cm	<input type="checkbox"/> 48cm <input type="checkbox"/> 50cm
additional price for special seat width	CODE 2292ST24	98,00 €	CODE 2292ST50	98,00 €



Special sizes for the FIDIBUS back

additional prices of the FIDIBUS back in special sizes

special seat width SW FIDIBUS back with special seat width SW 18 - 22cm or special seat width SW 42 - 50cm <small>only in combination with a FIDIBUS back</small>	smaller seat widths		larger seat widths	
	<input type="checkbox"/> 18cm <input type="checkbox"/> 20cm <input type="checkbox"/> 22cm		<input type="checkbox"/> 42cm <input type="checkbox"/> 44cm <input type="checkbox"/> 46cm	<input type="checkbox"/> 48cm <input type="checkbox"/> 50cm
additional price for special seat width	CODE 2292SB22	98,00 €	CODE 2292SB50	98,00 €

special back height BH FIDIBUS back with special back height BH 15cm or special back height BH 45cm <small>only in combination with a FIDIBUS back</small>	smaller back height		larger back height	
	15cm to shoulder line <input type="checkbox"/> CODE 2292RH15		45cm to shoulder line <input type="checkbox"/> CODE 2292RH45	50cm to shoulder line <input type="checkbox"/> CODE 2292RH50
additional price for special back height		128,00 €	108,00 €	196,00 €

Comment:

note

VD2620E-30

General Terms and Conditions of Business (GTC)

Validity

All sales are subject to our delivery and payment conditions, without any exception. Orders and other agreements will not be valid unless confirmed by us in writing. We expressly object to the customer's purchase conditions.

Quotations and contract conclusion

Quotations are always subject to change, unless they are expressly limited in terms of time. Orders require a written confirmation. After confirmation, prices quoted in orders are fixed but we reserve the right to make adequate price adjustments in the event of price increases for which we are not responsible (e.g. tax increases, wage increases, price changes on the part of our suppliers). Cost estimates for customized products and repairs are always non-binding. We reserve the right to make technical modifications. The contract will not be concluded before the order is confirmed.

Shipment

To the extent the customer has not made any specification, shipment will be made in usual packaging using an adequate method. Insurance will only be taken out upon request and at the expense of the customer.

Delivery will be made carriage forward. We are free to select a method of shipment. If the customer has special requests, e.g. express delivery, express freight, etc., the additional cost will also be borne by the recipient. The goods will always be shipped at the buyer's risk. In case of damage during transport, the recipient must apply for an ascertainment of the facts with the respective forwarding agent.

Prices

All prices quoted by BEROLLKA will be quoted ex works, excluding any applicable statutory value added tax, public charges and levies such as potential customs tariffs, and insurance and packaging costs that will be charged separately.

Minimum quantity surcharge

If a small order is placed with a net value below 20 euros, an additional lump-sum minimum quantity surcharge of 15.00 euros will additionally be charged to cover administrative costs.

Delivery periods

The delivery dates and periods stated are subject to change. Any delay in delivery will not entitle the customer to withdraw from the contract. The assertion of damage claims is ruled out. BEROLLKA can make partial deliveries for justified reasons.

Wrong orders / return of merchandise

Any goods erroneously ordered will only be taken back provided we are responsible for such an error and the merchandise is in impeccable condition. In the event that an item erroneously ordered or merchandise that was returned is taken back in an individual case as a gesture of goodwill, attention must be paid to the following:

1. It is necessary to state the article number, the designation of the article, the date and number of the delivery note and the invoice number.
2. The return shipment must be carriage paid.
3. The merchandise must correspond to the article number(s) listed in the delivery note. In no event will any individual parts removed from an article be taken back.
4. The returned merchandise must be in impeccable condition.
5. Processing fees amounting to 10% of the net merchandise value not, however, less than €35.- will be charged for any instance where goods are taken back.

Deliveries effected more than 3 months earlier as well as sewing pieces and customized products cannot be exchanged. A copy of the delivery note or of the invoice will serve as proof in this regard.

Warranty and notices of defects

Excluding any further claims, the seller is liable for defects of the merchandise in that the seller will mend or replace all those parts free of charge that have become defective or unusable within 6 months due to provable defects of material or workmanship, and of which the seller has been notified in writing immediately after knowledge was gained of the defect. Should longer periods of time be required for statutory reasons, the warranty period is agreed to be 12 months.

The customer must grant the seller the required time and opportunity for effecting delivery of the replacement parts. Replaced parts will become the property of the seller. The buyer must check the merchandise without undue delay after it has been delivered by the seller and, if a defect is found, notify the seller of the defect without undue delay. Should the buyer fail to notify the seller, the merchandise will be deemed accepted unless a defect occurs that could not have been found when the merchandise was checked.

In any event in which a complaint is brought to the notice of BEROLLKA, BEROLLKA invariably has the right to inspect and check the item delivered that is the subject matter of said complaint, for which the customer will grant BEROLLKA the required time and opportunity. BEROLLKA can also demand that the customer sends the item delivered that is the subject matter of a complaint back to BEROLLKA at the expense of BEROLLKA. Should a notice of defects given by the customer turn out to be wilfully or gross negligently unfounded, the customer will be obliged to compensate BEROLLKA for any and all expenses incurred in this connection. BEROLLKA will be entitled to remedy warranty defects at its own discretion either by rectification of the defect or by replacement of the defective part or of the entire item delivered at no cost for the customer. Should the customer itself repair an item that gave rise to a complaint, or should the customer endeavour to rectify the defects itself without prior written approval of the seller, the seller will not grant any claims for reimbursement of expenses (such as transport, road, labour or material costs) or warranty claims.

The following are excluded from the liability for damages:

damage arising from natural wear and tear, damage due to negligent and/or improper treatment, or violent damage. A revocation of the purchase contract, a reduction of the purchase price or damage claims of any kind are ruled out. The warranty obligation will cease if repairs and/or modifications or replacements of individual parts are performed by other parties than the seller or the delivering company.

Reservation of title

With regard to resellers: The merchandise delivered will remain our property until any and all invoices – also for different deliveries – have been fully paid. Our merchandise that is hence still our property may only be resold within the ordinary course of business. Amounts receivable from any resale are assigned to us. We must be notified without undue delay and on the reseller's own initiative of any disposal of said merchandise outside of the ordinary course of business, e.g. through pledging our property or amounts receivable assigned to us.

Terms of payment

Any invoices are payable within 30 days from the date of the invoice strictly net cash. A 2% discount will be granted for payments received within 8 days provided any and all payment claims under earlier deliveries have been settled. We are entitled to charge default interest if the 30-day payment deadline is exceeded. The interest rate will be the customary market rate charged by major banks. We expressly reserve the right to effect delivery with cash on delivery.

Data Protection

BEROLLKA and the customer are responsible themselves for compliance with the respective data protection rules applicable to them. The customer must not provide BEROLLKA with personal data that is illegal or that the customer is not legally authorised to distribute.

The place of performance and the place of jurisdiction will be the place where the invoice is issued.

Heidelberg, Germany, will be the exclusive place of jurisdiction for any and all disputes arising under the contractual relationship. However, BEROLLKA is entitled to sue the customer at any other legal venue. These General Terms and Conditions of Business are governed by the laws of the Federal Republic of Germany, excluding of the United Nations Convention on Contracts for the International Sale of Goods of Goods (CISG).

Technical modifications and printing errors excepted. A current list of prices can be ordered at any time.