

Adress

Shipping address see address

Com.:

Order

Estimate

Purchaser: _____

Telephone: _____



Basic Price 1935,- €

Price valid from January 1st 2022
(until revoked)

B2

Mobility base for seating systems for indoor and outdoor

Standard equipment:

- Rigid aluminium frame with abduction
- 7" castor
- Back with hand bow, angle adjustable and height adjustable and tiltable
- 12" wheel with drum brake

capacity up to 90kg

user weight + seating system: _____ kg

basic measure

frame		frame tube	width of seating frame back D	frame width behind A	frame width front B	total width C
B2 Mobility base for seating system	frame size 1 <input type="checkbox"/> Code U201	30mm	32 cm	40 cm	50 cm	56 cm
	frame size 2 <input type="checkbox"/> Code U202	30mm	38 cm	46 cm	56 cm	62 cm

Note: more dimensions and sizes in special constructions possible !!

technical data














Seat tilt -5 to 35°	Incline back 90 to 120°	H total height: 90 - 100cm L total length: L1 = 70 - 80cm L2 = 87cm T seat depth: 32cm	
weight from 12 kg	min. seat height 44 cm <small>respective seat frame (trapezium adapter +2cm)</small>		

VD2415E-31 Technical changes and print mistakes are reserved.

frame colour

Because of the material are different colours possible

shiny












<input type="checkbox"/>  25 RAL9010 white	<input type="checkbox"/>  44 RAL5015 sky blue met.	<input type="checkbox"/>  19 silvermetallic
<input type="checkbox"/>  24 RAL1028 melonyellow	<input type="checkbox"/>  16 RAL5002 ultramarine blue	<input type="checkbox"/>  63 platin met.
<input type="checkbox"/>  27 mandarin met.	<input type="checkbox"/>  17 dormantblue	<input type="checkbox"/>  23 RAL9005 black
<input type="checkbox"/>  06 dormantred	<input type="checkbox"/>  64 petrolgreen met.	
<input type="checkbox"/>  43 RAL4010 telemagenta met.	<input type="checkbox"/>  45 RAL 6018 yellow green	

met. = metalized

frame colour

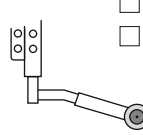
Because of the material are different colours possible

mat / satined


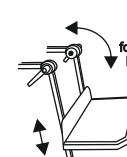


<input type="checkbox"/>  76 white satined	<input type="checkbox"/>  70 ultramarine blue satined	<input type="checkbox"/>  77 silvermetallic satined
<input type="checkbox"/>  66 mandarin met. satined	<input type="checkbox"/>  75 petrolgreen met. satined	<input type="checkbox"/>  78 platin met. satined
<input type="checkbox"/>  67 traffic red satined	<input type="checkbox"/>  73 yellowgreen met. satined	<input type="checkbox"/>  22 RAL9011 black mat
<input type="checkbox"/>  68 telemagenta met. satined		
<input type="checkbox"/>  72 sky blue met. satined		

met. = metalized

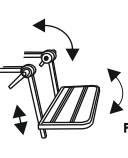
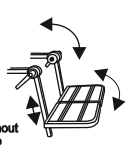
frame accessories

<p>Tip shackle with adapter</p> <p><input type="checkbox"/> right <input type="checkbox"/> left</p>  <p>Code U211</p>	<p>Anti-tip wheel with adapter</p> <p><input type="checkbox"/> right <input type="checkbox"/> left</p>  <p>Code U212</p>	
<input type="checkbox"/> Piece 87,- €	<input type="checkbox"/> Piece 144,- €	

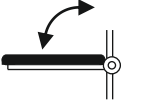
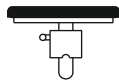
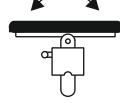
footrest

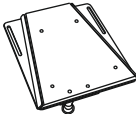
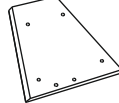
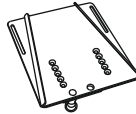
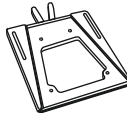
<p>Single footrest with knee angle adjustable</p>  <p>Code U222</p>	<p>Single footrest with knee angle adjustable and gear segment</p>  <p>Code U221</p>	<p>Additional footrest angle adjustable (for single footrest with knee angle CODE U222 or U221)</p>  <p>Code U228</p>	<p>Footrest folding upwards (for single footrest with knee angle CODE U222 or U221)</p>  <p>Code U725</p> <p style="font-size: small;">(not in combination with CODE U228)</p>	
<input type="checkbox"/> Piece 284,- €	<input type="checkbox"/> Piece 338,- €	<input type="checkbox"/> Piece OE 110,- €	<input type="checkbox"/> Piece OE 171,- €	

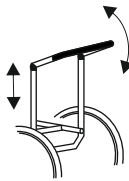

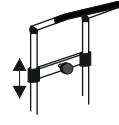
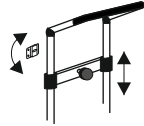
footrest


<p>Single footrest alu. flat-profile gear segment knee angle</p>  <p>Code U7025</p>	<p>Double footrest alu. flat-profile gear segment knee angle</p>  <p>Code U7026</p>	<p>Heel edge for double footrest for CODE U7028</p> <p><input type="checkbox"/> Pair Code U7028 each 152,- €</p> <p>for single footrest for CODE U7025, U221 or U722</p> <p><input type="checkbox"/> Piece Code U7027 each 140,- €</p>	<p>Calves pads for double footrest for CODE U7026</p> <p><input type="checkbox"/> Pair Code U7023 each 164,- €</p> <p>for single footrest for CODE U7025, U221 or U722</p> <p><input type="checkbox"/> Piece Code U7022 each 148,- €</p>	<p>Spasticity lock for footrest folding upwards</p> <p>for CODE U725 CODE U7025 CODE U7026</p> <p>Code U725S OE 68,- €</p>
<input type="checkbox"/> Piece 348,- €	<input type="checkbox"/> Pair 418,- €			

VD2415E-31

armrest				
<p>Armrest holder with arm pads fixed at the back tube</p>  <p>(arm pads swing up)</p> <p>Code U246</p>	<p>Armrest height adjustable with raster for mounting on the seating shell</p>  <p><input type="checkbox"/> armrest long <input type="checkbox"/> armrest short</p> <p>Code U248</p>	<p>Armrest short height adjustable and angle adjustable with raster for mounting on the seating shell</p>  <p>self installation on the seating shell</p> <p>Code U247</p> <p>self installation on the seating shell</p>		
<input type="checkbox"/> Pair 284,- €	<input type="checkbox"/> Pair 221,- €	<input type="checkbox"/> Pair 271,- €		

adapter				
<p>Trapezium adapter for seating shells 2-piece</p>  <p>Code U231</p>	<p>Upper trapezium adapter, plastic (at the seating shell)</p>  <p>Code U232</p>	<p>Lower trapezium adapter aluminium (at the mobility base)</p>  <p>Code U233</p>	<p>HC-Trapezium adapter for seating shells 2-piece top and bottom made of aluminium</p>  <p>Code U239</p>	
<input type="checkbox"/> Set 310,- €	<input type="checkbox"/> Piece 130,- €	<input type="checkbox"/> Piece 182,- €	<input type="checkbox"/> Set 406,- €	

back				
<p>Back with hand bow height adjustable, angle adjustable and tiltable (with 2 single brake lever)</p> <p><input type="checkbox"/> Hand bow U-type at size 2 = standard <input type="checkbox"/> Hand bow trapezium type at size 1 = standard</p>  <p>Code U241</p>	<p>Back pipes 10cm higher</p> <p>Code U245</p>	<p>Back guide with fork head for seating shells</p>  <p>Code U242</p>	<p>Back guide for seating shells with slide bush on back tube</p>  <p>Code U242R</p>	<p>Back guide for seating shells with slide bush on back tube and angle adjustable bracket</p>  <p>Code U242RW</p>
Standard	<input type="checkbox"/> Set OE 110,- €	<input type="checkbox"/> Piece 260,- €	<input type="checkbox"/> Piece 268,- €	<input type="checkbox"/> Piece 292,- €

wheel		accessories	
<p>Castor with screw axle</p> <p><input type="checkbox"/> 140mm soft (solid) Code U281 <input type="checkbox"/> 140mm black soft (solid) Code U281S <input type="checkbox"/> 7 Zoll pneumatic Code U282 <input type="checkbox"/> 7 Zoll solid Code U287</p>	<p>Rear wheel pneumatic tyre with drum brake, screwed axle (for companion)</p> <p>12 inch</p> <p>Code U261</p>	<p>Rear wheel pneumatic black tyre with drum brake, screwed axle (for companion)</p> <p>12 Zoll black tyre</p> <p>Code U261S</p>	<p>Anchor plate system anchor plates for transport in cars (ISO 7176-19) Assembly kit for wheelchairs including mounting</p>  <p>Code U291</p>
Standard		<input type="checkbox"/> Pair OE 62,- €	<input type="checkbox"/> Set net price 450,- €

note

VD2415E-31 Technical changes and print mistakes are reserved.


B2 accessories

Trike

traking extension
as steering and pushing aid



B2 accessories

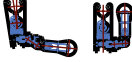
traking extension TRIKE as steering and pushing aid		# special holder lateral at frame (for tube Ø23) with hook closure # castor 10x2" black alu fork # arrangement with gear segment # with ramp as mounting aid	
hook closure 	capacity up to 60kg (wheelchair incl. payload)	capacity up to 90kg (wheelchair incl. payload)	
CODE U7991		CODE U7992	

<input type="checkbox"/> Piece	566,- €	<input type="checkbox"/> Piece	698,- €
--------------------------------	---------	--------------------------------	---------

TRIKE colour frame Edition "...-Color"

Note: the TRIKE frame parts are made of aluminium	TRIKE- frame colour powder coated Colour : frame colour (see page 1) - frame type right / left - cross tube - castor fork Code 9908	Edition "Duo-Color" colour 1: _____ (castor fork) colour 2: _____ (frame type right / left, cross tube) Code 9909	Castor fork with brake for directional stability Code 9909F
	without extra charge <input type="checkbox"/>	OE 128,- € <input type="checkbox"/>	OE 138,- € <input type="checkbox"/>

B2 accessories

traking extension TRIKE as steering and pushing aid		# special holder for quick release (clamp) at the frame # castor 10x2" black alu fork # arrangement of levers with gear segment # with ramp as mounting aid	
quick release (clamp) 	capacity up to 60kg (base incl. payload)	capacity up to 90kg (base incl. payload)	
CODE U7995		CODE U7996	

<input type="checkbox"/> Piece	572,- €	<input type="checkbox"/> Piece	708,- €
--------------------------------	---------	--------------------------------	---------

accessories

Technical changes and print mistakes reserved.

VD2415E-31

note

Technical changes and print mistakes reserved.

VD2415E-31

General Terms and Conditions of Business (GTC)

Validity

All sales are subject to our delivery and payment conditions, without any exception. Orders and other agreements will not be valid unless confirmed by us in writing. We expressly object to the customer's purchase conditions.

Quotations and contract conclusion

Quotations are always subject to change, unless they are expressly limited in terms of time. Orders require a written confirmation. After confirmation, prices quoted in orders are fixed but we reserve the right to make adequate price adjustments in the event of price increases for which we are not responsible (e.g. tax increases, wage increases, price changes on the part of our suppliers). Cost estimates for customized products and repairs are always non-binding. We reserve the right to make technical modifications. The contract will not be concluded before the order is confirmed.

Shipment

To the extent the customer has not made any specification, shipment will be made in usual packaging using an adequate method. Insurance will only be taken out upon request and at the expense of the customer.

Delivery will be made carriage forward. We are free to select a method of shipment. If the customer has special requests, e.g. express delivery, express freight, etc., the additional cost will also be borne by the recipient. The goods will always be shipped at the buyer's risk. In case of damage during transport, the recipient must apply for an ascertainment of the facts with the respective forwarding agent.

Prices

All prices quoted by BEROLLKA will be quoted ex works, excluding any applicable statutory value added tax, public charges and levies such as potential customs tariffs, and insurance and packaging costs that will be charged separately.

Minimum quantity surcharge

If a small order is placed with a net value below 20 euros, an additional lump-sum minimum quantity surcharge of 15.00 euros will additionally be charged to cover administrative costs.

Delivery periods

The delivery dates and periods stated are subject to change. Any delay in delivery will not entitle the customer to withdraw from the contract. The assertion of damage claims is ruled out. BEROLLKA can make partial deliveries for justified reasons.

Wrong orders / return of merchandise

Any goods erroneously ordered will only be taken back provided we are responsible for such an error and the merchandise is in impeccable condition. In the event that an item erroneously ordered or merchandise that was returned is taken back in an individual case as a gesture of goodwill, attention must be paid to the following:

1. It is necessary to state the article number, the designation of the article, the date and number of the delivery note and the invoice number.
2. The return shipment must be carriage paid.
3. The merchandise must correspond to the article number(s) listed in the delivery note. In no event will any individual parts removed from an article be taken back.
4. The returned merchandise must be in impeccable condition.
5. Processing fees amounting to 10% of the net merchandise value not, however, less than €35.- will be charged for any instance where goods are taken back.

Deliveries effected more than 3 months earlier as well as sewing pieces and customized products cannot be exchanged. A copy of the delivery note or of the invoice will serve as proof in this regard.

Warranty and notices of defects

Excluding any further claims, the seller is liable for defects of the merchandise in that the seller will mend or replace all those parts free of charge that have become defective or unusable within 6 months due to provable defects of material or workmanship, and of which the seller has been notified in writing immediately after knowledge was gained of the defect. Should longer periods of time be required for statutory reasons, the warranty period is agreed to be 12 months.

The customer must grant the seller the required time and opportunity for effecting delivery of the replacement parts. Replaced parts will become the property of the seller. The buyer must check the merchandise without undue delay after it has been delivered by the seller and, if a defect is found, notify the seller of the defect without undue delay. Should the buyer fail to notify the seller, the merchandise will be deemed accepted unless a defect occurs that could not have been found when the merchandise was checked.

In any event in which a complaint is brought to the notice of BEROLLKA, BEROLLKA invariably has the right to inspect and check the item delivered that is the subject matter of said complaint, for which the customer will grant BEROLLKA the required time and opportunity. BEROLLKA can also demand that the customer sends the item delivered that is the subject matter of a complaint back to BEROLLKA at the expense of BEROLLKA. Should a notice of defects given by the customer turn out to be wilfully or gross negligently unfounded, the customer will be obliged to compensate BEROLLKA for any and all expenses incurred in this connection. BEROLLKA will be entitled to remedy warranty defects at its own discretion either by rectification of the defect or by replacement of the defective part or of the entire item delivered at no cost for the customer. Should the customer itself repair an item that gave rise to a complaint, or should the customer endeavour to rectify the defects itself without prior written approval of the seller, the seller will not grant any claims for reimbursement of expenses (such as transport, road, labour or material costs) or warranty claims.

The following are excluded from the liability for damages:

damage arising from natural wear and tear, damage due to negligent and/or improper treatment, or violent damage. A revocation of the purchase contract, a reduction of the purchase price or damage claims of any kind are ruled out. The warranty obligation will cease if repairs and/or modifications or replacements of individual parts are performed by other parties than the seller or the delivering company.

Reservation of title

With regard to resellers: The merchandise delivered will remain our property until any and all invoices – also for different deliveries – have been fully paid. Our merchandise that is hence still our property may only be resold within the ordinary course of business. Amounts receivable from any resale are assigned to us. We must be notified without undue delay and on the reseller's own initiative of any disposal of said merchandise outside of the ordinary course of business, e.g. through pledging our property or amounts receivable assigned to us.

Terms of payment

Any invoices are payable within 30 days from the date of the invoice strictly net cash. A 2% discount will be granted for payments received within 8 days provided any and all payment claims under earlier deliveries have been settled. We are entitled to charge default interest if the 30-day payment deadline is exceeded. The interest rate will be the customary market rate charged by major banks. We expressly reserve the right to effect delivery with cash on delivery.

Data Protection

BEROLLKA and the customer are responsible themselves for compliance with the respective data protection rules applicable to them. The customer must not provide BEROLLKA with personal data that is illegal or that the customer is not legally authorised to distribute.

The place of performance and the place of jurisdiction will be the place where the invoice is issued.

Heidelberg, Germany, will be the exclusive place of jurisdiction for any and all disputes arising under the contractual relationship. However, BEROLLKA is entitled to sue the customer at any other legal venue. These General Terms and Conditions of Business are governed by the laws of the Federal Republic of Germany, excluding of the United Nations Convention on Contracts for the International Sale of Goods of Goods (CISG).

Technical modifications and printing errors excepted. A current list of prices can be ordered at any time.