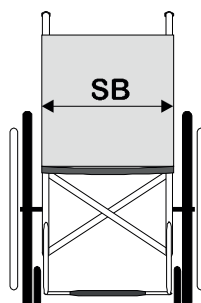


Technical data

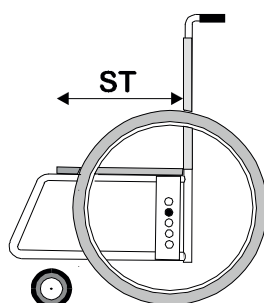
seat width **SW**

from outside frame to outside frame +6mm



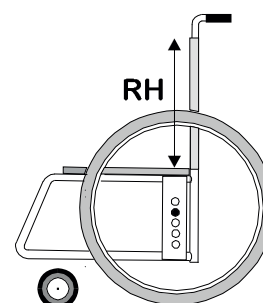
seat depth **SD**

from back tube to upper edge seat upholstery



back height **RH**

from upper edge seat upholstery to upper edge back upholstery



Lower Leg Length LLL:

15 to 49 cm

Overall width of the wheelchair:

wheels with handrim
at 0° camber
at 3° camber
at 5° camber
at 7° camber
at 10° camber

with / without drum brake
SW + 20cm
SW + 24cm
SW + 26cm
SW + 29cm
SW + 34cm

Seat height **SH**

(to the seat upholstery / measure without seat upholstery 1,5cm lower)





















FINDUS

















Rear wheel	Castor fork	minimum seat height		maximum seat height	
		front	back	front	back
20 inch	4 inch - extra short	37 cm	29 cm	40 cm	38 cm
	- short	40 cm	29 cm	43 cm	38 cm
	5 inch - extra short	38 cm	29 cm	41 cm	40 cm
22 inch	- short	41 cm	29 cm	44 cm	43 cm
	- long	42 cm	29 cm	45 cm	43 cm
	6 inch - short	42 cm	32 cm	43 cm	43 cm
	- long	44 cm	32 cm	47 cm	46 cm
24 inch	5 inch - short	41 cm	32 cm	44cm	43 cm
	- long	43 cm	32 cm	48 cm	48 cm
	6 inch - short	42 cm	32 cm	45 cm	45 cm
	- long	44 cm	32 cm	49 cm	47 cm
	140mm - wide	42 cm	32 cm	46 cm	46 cm
	4 inch - short	40 cm	35 cm	43 cm	43 cm
	- long	42 cm	35 cm	47 cm	46 cm
	5 inch - short	41 cm	35 cm	44 cm	43 cm
- long	43 cm	35 cm	48 cm	47cm	
6 inch - short	42 cm	35 cm	45 cm	43 cm	
- long	44 cm	35 cm	49 cm	48 cm	
140mm - wide	42 cm	35 cm	46 cm	46 cm	










All measure ± 0,5 cm

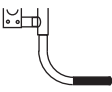
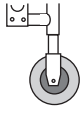

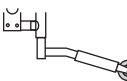
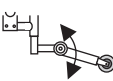
Notice: seat height without seat upholstery = SH-2cm (to the frame)

Notice: at the castor wheels **PU-black** are the minimal seat height with the fork **short** and **extra short** not possible

		frame colour				Because of the material are different colours possible						
shiny	<input type="checkbox"/>		25 RAL9010 white	<input type="checkbox"/>		06 dormant red	<input type="checkbox"/>		44 RAL5015 sky blue met.	<input type="checkbox"/>		51 apple green metallic
	<input type="checkbox"/>		56 RAL1021 gold yellow met.	<input type="checkbox"/>		40 red metallic	<input type="checkbox"/>		16 RAL5002 ultramarine blue	<input type="checkbox"/>		45 RAL6018 yellow green
	<input type="checkbox"/>		24 RAL1028 melon yellow	<input type="checkbox"/>		43 RAL4010 telemagenta met.	<input type="checkbox"/>		17 dormant blue	<input type="checkbox"/>		60 mojit green met.
	<input type="checkbox"/>		27 mandarin met.	<input type="checkbox"/>		53 cassis	<input type="checkbox"/>		64 petrol green met.	<input type="checkbox"/>		19 silver metallic
	<input type="checkbox"/>		41 RAL3020 trafficed red met.	<input type="checkbox"/>		59 atlantic blue met.	<input type="checkbox"/>		50 apple green	<input type="checkbox"/>		23 RAL9005 black met. = metalized

		frame colour				Because of the material are different colours possible						
mat / satined	<input type="checkbox"/>		76 white satined	<input type="checkbox"/>		69 purpur met. satined	<input type="checkbox"/>		75 petrol green met. satined	<input type="checkbox"/>		73 yellow green met. satined
	<input type="checkbox"/>		65 gold yellow met. satined	<input type="checkbox"/>		61 cool mint mat	<input type="checkbox"/>		74 mojit green met. satined	<input type="checkbox"/>		77 silver metallic satined
	<input type="checkbox"/>		66 mandarin met. satined	<input type="checkbox"/>		72 sky blue met. satined	<input type="checkbox"/>		71 atlantic blue met. satined	<input type="checkbox"/>		70 ultramarine blue satined
	<input type="checkbox"/>		67 trafficed red satined	<input type="checkbox"/>		70 ultramarine blue satined	<input type="checkbox"/>		22 RAL9011 black mat			
	<input type="checkbox"/>		68 telemagenta met. satined									

		upholstery colours					
upholstery standard	<input type="checkbox"/>		DE290 black				
	upholstery breathable fabric	<input type="checkbox"/>		AG410 yellow	<input type="checkbox"/>		AG451 king blue
		<input type="checkbox"/>		AG430 red	<input type="checkbox"/>		AG460 lemon
		<input type="checkbox"/>		AG441 pink	<input type="checkbox"/>		AG470 grey
		<input type="checkbox"/>		AG450 ultramarine	<input type="checkbox"/>		AG490 black

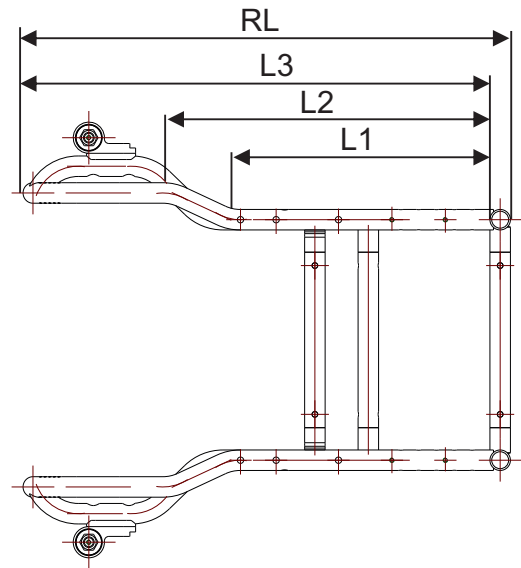
		frame accessories							
Technical changes and print mistakes reserved.	Tip shackle <input type="checkbox"/> right <input type="checkbox"/> left  Code 105	Transit wheels  Code 102	Walking stick holder aluminium with holder (for 2 crutches) <input type="checkbox"/> right <input type="checkbox"/> left  Code 103	Anti-tip wheel swing away <input type="checkbox"/> right <input type="checkbox"/> left  Code 104	Anti-tip wheel high adjustable with gear segment <input type="checkbox"/> right <input type="checkbox"/> left  Code 2212				
	Piece	74,- €	<input type="checkbox"/> Pair	248,- €	Piece	87,- €	Piece	148,- €	Piece

note	

Technical changes and print mistakes reserved.

VD2372E-39

Frame length

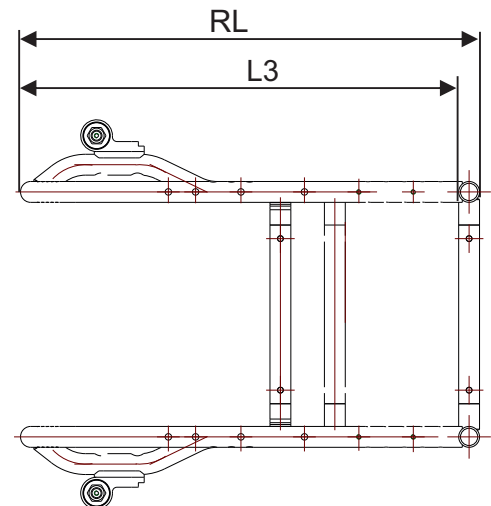


For abduction frame CODE 2202 / 2100

frame length	Measure L1 from back tube to start of abduction	Measure L2 from back tube to abduction end	Measure L3 from back tube to front edge of frame	Measure RL Frame length
1	20 cm	28 cm	44 cm	46,7 cm
2	24 cm	32 cm	48 cm	50,7 cm
3	28 cm	36 cm	52 cm	54,7 cm
4	32 cm	40 cm	56 cm	58,7 cm
5	36 cm	44 cm	60 cm	62,7 cm
6	42 cm	50 cm	66 cm	68,7 cm

Note: Special frame lengths are available on request!

For straight frames CODE 2201 / 2101




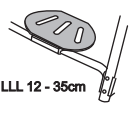



frame length	Measure L3 from back tube to front edge of frame	Measure RL frame length
1	40 cm	42,6 cm
2	44 cm	46,6 cm
3	48 cm	50,6 cm
4	52 cm	54,6 cm
5	56 cm	58,6 cm
6	60 cm	62,6 cm

Note: Special frame lengths are available on request!

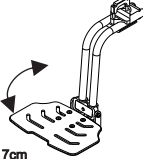
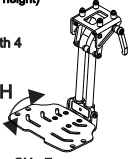
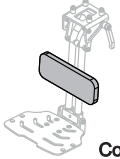
Technical changes and print mistakes reserved.

VD2372E-39


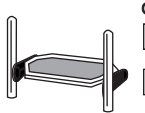

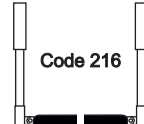
footrest with calf strap

<p>Single footrest, angle adjustable (not for folding upwards)</p> <p>LLL 30cm - 44cm</p>  <p>Code 2240</p>	<p>Single footrest, mounted in frame and angle adjustable (not for folding upwards)</p> <p>LLL 12 - 35cm</p>  <p>Clamp plate <input type="checkbox"/> 60mm <input type="checkbox"/> 85mm Standard <input type="checkbox"/> 145mm</p> <p>Code 2241</p>	<p>Single footrest, angle adjustable, lateral folding upwards possible</p> <p>from LLL 30cm</p>  <p>Code 2242</p>	<p>Single footrest, mounted in frame angle adjustable, lateral folding upwards possible</p> <p>frame straight from SW 28 Abdu. frame from SW 22</p>  <p>LLL 12 - 35cm</p> <p>Clamp plate <input type="checkbox"/> 60mm <input type="checkbox"/> 85mm Standard <input type="checkbox"/> 145mm</p> <p>Code 2243</p>	<p>Single footrest, angle adjustable, folded back possible</p> <p>Note:: max. LLL= SH - 7cm</p> <p>Castor 6" / 140mm only with special footrest bracket</p> <p>Castor 4" / 5"</p> <p>frame straight from SW 28 from SW 32 Abdu. frame from SW 22 from SW 26</p>  <p>Code 2252</p> <p>footrest bracket standard LLL 32 - 41cm footrest bracket cropped LLL 27 - 35cm</p>
<input type="checkbox"/> Piece 202,- €	<input type="checkbox"/> Piece 218,- €	<input type="checkbox"/> Piece 318,- €	<input type="checkbox"/> Piece 330,- €	<input type="checkbox"/> Piece 392,- €

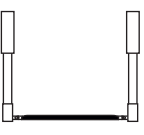

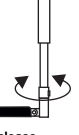


footrest

<p>Single footrest plate, mounted central backward folding upwards</p> <p>max. SW 38 max. frame length 4 from LLL15cm</p>  <p>Code 2259</p> <p>Note:: max. LLL= SH - 7cm only with alu seat plate CODE 2218F possible</p>	<p>Single footplate, mounted central and backward foldable</p> <p>Footrest tube long: to LLL 32cm Footrest tube extra long: to LLL 40cm (at maximum seat height)</p> <p>max. SW 38 max. frame length 4 from LLL15cm</p>  <p>Code 2259H</p> <p>Note:: max. LLL= SH - 7cm only with alu seat plate CODE 2218F possible</p>	<p>Calf cushion for footrest plate central</p>  <p>Code 2259W</p> <p>only in combination with Code 2259 or Code 2259H</p>
<input type="checkbox"/> Piece 410,- €	<input type="checkbox"/> Piece 576,- €	<input type="checkbox"/> Piece 168,- €

footrest with calf strap


<p>Single footrest, alu-profile angle adjustable, black</p> <p>from LLL 28 cm</p> <p>frame straight from SW 28 abduction frame from SW 20</p>  <p>Code 2254</p>	<p>Single footrest, alu-profile mounted in frame, black</p> <p>from LLL 12 to 35</p> <p>frame straight from SW 28 abduction frame from SW 20</p>  <p>Clamp plate <input type="checkbox"/> 60mm <input type="checkbox"/> 85mm Standard <input type="checkbox"/> 145mm</p> <p>Code 213</p>	<p>Spasticity lock for footrest</p> <table border="1"> <tr> <th>single footrest</th> <th>double footrest</th> </tr> <tr> <td> <p>alu-profile for CODE 213 / 2254</p> <p>flat-profile for CODE 2253 / 2255</p> <p><input type="checkbox"/> Code 122</p> </td> <td> <p>alu-profile for CODE 218 / 216</p> <p><input type="checkbox"/> Code 123</p> </td> </tr> </table>	single footrest	double footrest	<p>alu-profile for CODE 213 / 2254</p> <p>flat-profile for CODE 2253 / 2255</p> <p><input type="checkbox"/> Code 122</p>	<p>alu-profile for CODE 218 / 216</p> <p><input type="checkbox"/> Code 123</p>	<p>Double footrest, alu-profile mounted in frame, black</p> <p>from LLL 12 to 35</p> <p>frame straight from SW 28 abduction frame from SW 22</p>  <p>Clamp plate <input type="checkbox"/> 60mm <input type="checkbox"/> 85mm Standard <input type="checkbox"/> 145mm</p> <p>Code 218</p>	<p>Double footrest, alu-profile angle adjustable</p> <p>from LLL 28cm</p> <p>frame straight from SW 28 abduction frame from SW 20</p>  <p>Code 216</p>
single footrest	double footrest							
<p>alu-profile for CODE 213 / 2254</p> <p>flat-profile for CODE 2253 / 2255</p> <p><input type="checkbox"/> Code 122</p>	<p>alu-profile for CODE 218 / 216</p> <p><input type="checkbox"/> Code 123</p>							
<input type="checkbox"/> Piece 302,- €	<input type="checkbox"/> Piece 320,- €	OE 89,- € OE 154,- €	<input type="checkbox"/> Piece 350,- €	<input type="checkbox"/> Pair 332,- €				

footrest with calf strap

<p>Single footrest, alu. flat-profile, black angle adjustable</p> <p>from LLL 28 cm</p> <p>frame straight from SW 24 abduction frame from SW 20</p>  <p>Code 2253</p>	<p>Single footrest a. flat-profile mounted in frame, angle adjustable, black</p> <p>frame straight from SW 24 abduction frame from SW 20 from LLL 12 to 35</p>  <p>Clamp plate <input type="checkbox"/> 60mm <input type="checkbox"/> 85mm Standard <input type="checkbox"/> 145mm</p> <p>Code 2255</p>	<p>Mechanism for swing up for single footrest (swing away outside)</p> <p>from LLL 34cm</p> <p>(only in combination with Code 2242, 2254 or Code 2253)</p>  <p>Code 2245</p> <p>(for footrest Code 2247 please use Code 2245A)</p>	<p>Footrest coloured for footrest alu profile</p> <p>colour: _____</p> <p>Code 417</p> <p>frame colours see on page 3</p>	<p>Double footrest alu-profile displaced with footrest bracket and clamp plate, angle adjustable</p> <p>from LLL 28</p> <p>frame straight from SW 28 abduction frame from SW 22</p>  <p>Clamp plate 85mm</p> <p>Code 2246</p>	<p>Single footrest alu-profile displaced with footrest bracket and clamp plate angle adjustable</p> <p>from LLL 28</p> <p>frame straight from SW 28 abduction frame from SW 22</p>  <p>Clamp plate 85mm</p> <p>Code 2247</p>
<input type="checkbox"/> Piece 302,- €	<input type="checkbox"/> Piece 320,- €	<input type="checkbox"/> Piece OE 178,- €	<input type="checkbox"/> OE 68,- €	<input type="checkbox"/> Piece 370,- €	<input type="checkbox"/> Piece 346,- €

MECKI- / EXTREME-frame

Note: the frame MECKI and EXTREME is only possible with the brakes integrated in the side guards (CODE 2289) !

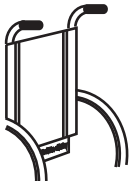

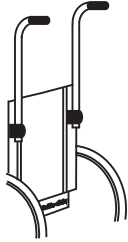
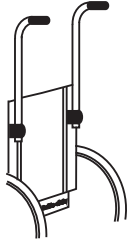
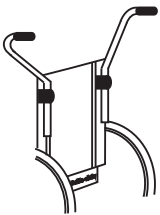
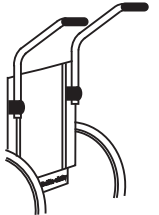
<p>FINDUS open special frame "MECKI"</p> <p>### Special construction ###</p> <p># open frame *1</p> <p># only with the lower frame tube</p> <p># only with footrest CODE 2244 possible</p> <p># from SW 24</p> <p># frame screwed (growing)</p> <p><input type="checkbox"/> Code 2202M</p> <p>Basic Price 3190,- €</p>	<p>FINDUS open special frame "EXTREME"</p> <p>### Special construction###</p> <p># extreme open frame *1</p> <p># only with a lower frame tube</p> <p># only with footrest CODE 2244</p> <p># from SW 24</p> <p># frame screwed (growing)</p> <p><input type="checkbox"/> Code 2202E</p> <p>Basic Price 3295,- €</p>	<p>MECKI- / EXTREME-frame:</p> <p># only possible with brake integrated in side guard</p> <p># only possible with side guard CODE 2233 or 230 or 437 (without armpads)</p> <p># knee angle brake CODE 174K only in special constructions (price on application) III</p> <p># NOT Crash tested III</p> <p># NOT usable with electric drives!!!</p> <p>footrest: # only with footrest CODE 2244 or # seat plate aluminium CODE 2218F with footrest central mounted CODE 2259 possible</p>	<p>Single footrest for FINDUS MECKI- / EXTREME frame mounted in the middle of the frame with clamp plates (folding upwards not possible)</p> <p>only for special frame MECKI or EXTREME</p> <p>from SW 24</p>  <p>Code 2244</p> <p><input type="checkbox"/> Piece 408,- €</p>
------------------------------------------------------------------------------------------------------------------------------------------------------------------------------------------------------------------------------------------------------------------------------------------------------------------------	----------------------------------------------------------------------------------------------------------------------------------------------------------------------------------------------------------------------------------------------------------------------------------------------------------------------	-----------------------------------------------------------------------------------------------------------------------------------------------------------------------------------------------------------------------------------------------------------------------------------------------------------------------------------------------------------------------------------------------------------------------------------------------------------------------------------------------------------------------------------	--------------------------------------------------------------------------------------------------------------------------------------------------------------------------------------------------------------------------------------------------------------------------------------------------------------------------------------------------------------------

*1 Note: please look at page 8/13 Technical Data for the frame shape and seat depth.



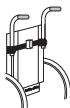
Height of push handles

Height of push handles for companion = Back height + Seat height + Height of push handle

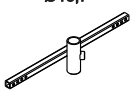
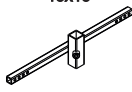

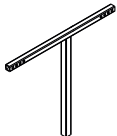
$$\text{Height of push handles for companion} = \text{BH} + \text{SH} + \text{HPH}$$

	Back standard	Back with height adjustable push handle				
		15cm normal	35cm long	45cm extra long reinforced	cropped	bent rewards
						
HPH						
min.		4cm	4cm	4cm	21cm	12cm
max.	3cm	19cm	39cm	49cm	38cm	29cm
					push handle each side 6cm outside	push handle each side 9cm backwards

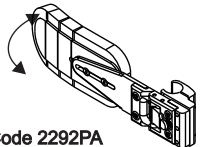
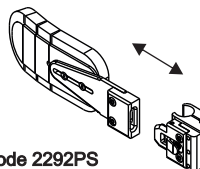
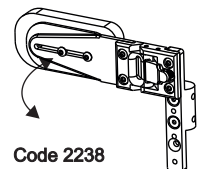
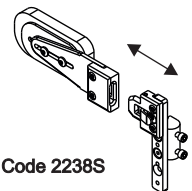
accessories

<p>Headrest "light" adjustable, alu. parts (mounted at the back tube)</p>  <p>Code 2235</p>	<p>Positioning aid for headrest „light“</p> <p>Code 3526</p>	<p>Headrest adjustable steel and alu. parts (mounted at the back tube)</p> <p><input type="checkbox"/> small 24cm wide from SW 20 - 36cm</p> <p><input type="checkbox"/> big 33cm wide from SW 38 - 46cm</p>  <p>Code 2225</p>	<p>Holder for head rest</p> <p>for head rest tube:</p> <p><input type="checkbox"/> 15x15mm Code 2225Halt</p> <p><input type="checkbox"/> Ø 19mm Code 2235Halt</p> 	
<input type="checkbox"/> Piece 328,- €	<input type="checkbox"/> Stück 60,- €	<input type="checkbox"/> Piece 325,- €	<input type="checkbox"/> Piece 209,- €	

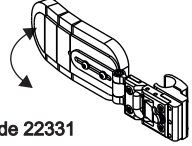
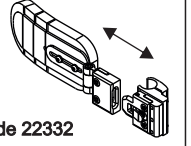
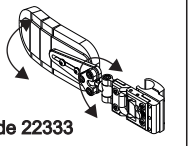
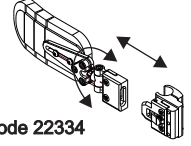
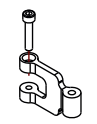
accessories

<p>holder for chest harness with folding buckles</p> <p>on the vertical head rest tube Ø18,7</p>  <p>Code 2235G</p> <p>only in combination with CODE 2235</p>	<p>on the vertical head rest tube 15x15</p>  <p>Code 2225G</p> <p>only in combination with CODE 2225</p>	<p>chest harness, black (Neopren and AGW black) with folding buckles</p>  <p>Code 2235B</p> <p>- without head rest: assembly on T-girder (see CODE 2223G)</p> <p>- with head rest: with holder for chest harness (see CODE 2235G or 2225G)</p>	<p>T-girder as holder for chest harness with straps incl. holder on the back tube</p>  <p>Code 2223G</p> <p>not in combination with head rest</p>	
<input type="checkbox"/> Piece OE 234,- €	<input type="checkbox"/> Piece OE 202,- €	<input type="checkbox"/> Piece OE 304,- €		

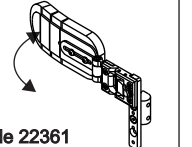
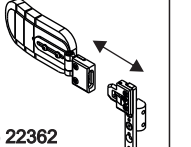
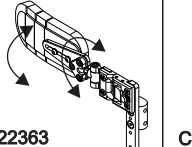
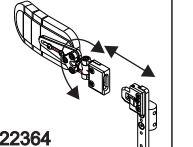
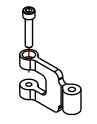
side pads for FIDIBUS back or without back upholstery

<p>side pads low shape cover black MM190</p> <p>size side pads</p> <p><input type="checkbox"/> size S D=12cm H=6cm</p> <p><input type="checkbox"/> size M D=15cm H=7cm</p> <p><input type="checkbox"/> size L D=18cm H=8cm</p> <p><input type="checkbox"/> size XL D=20,5cm H=10cm</p> <p>pad rack</p> <p><input type="checkbox"/> straight B = SB-2,5cm</p> <p><input type="checkbox"/> 20mm (standard) B = SB-6,5cm</p> <p><input type="checkbox"/> 40mm B = SB-10,5cm</p> <p>B = width between the side pads</p>	<p>side pads foldable mounted on the back tubes</p> <p>mounted on the back tubes with a clamp holder</p>  <p>Code 2292PA</p>	<p>side pads pluggable mounted on the back tubes</p> <p>mounted on the back tubes with a clamp holder</p>  <p>Code 2292PS</p>	<p>side pads foldable mounted on spacer</p> <p>mounted on spacer of tube holder or push handle holder</p>  <p>Code 2238</p>	<p>side pads pluggable mounted on spacer</p> <p>mounted on spacer of tube holder or push handle holder</p>  <p>Code 2238S</p>
	<input type="checkbox"/> Pair 474,- €	<input type="checkbox"/> Pair 474,- €	<input type="checkbox"/> Pair 426,- €	<input type="checkbox"/> Pair 426,- €

side pads for FIDIBUS back or without back upholstery

<p>side pads narrow shape angle-adjustable with joint element clamped to the back tube</p> <p>Cover black MM190</p> <p>size side pads</p> <p><input type="checkbox"/> size S D=12cm H=6cm</p> <p><input type="checkbox"/> size M D=15cm H=7cm</p> <p><input type="checkbox"/> size L D=18cm H=8cm</p> <p><input type="checkbox"/> size XL D=20,5cm H=10cm</p> <p>W = SB-2,5cm</p> <p>W = width between the side pads</p>	<p>side pads foldable with straight pad splint clamped to the back tube</p> <p>Joint side pad holder flat foldable, with connecting joint and with straight pad splint</p>  <p>Code 22331</p>	<p>side pads pluggable with straight pad splint clamped to the back tube</p> <p>Plug-in connection side pad holder flat, with connection joint and with straight pad splint</p>  <p>Code 22332</p>	<p>side pads foldable with ball joint element clamped to the back tube</p> <p>Joint side pad holder flat foldable, with connecting joint and with straight pad splint with ball</p>  <p>Code 22333</p>	<p>side pads pluggable with ball joint element clamped to the back tube</p> <p>Plug-in connection side pad holder flat, with connection joint and with pad splint with ball</p>  <p>Code 22334</p>	<p>additional set of joint elements</p> <p>2 additional joint elements for side pads (right and left)</p>  <p>Code 22369</p>
	<input type="checkbox"/> Pair 634,- €	<input type="checkbox"/> Pair 634,- €	<input type="checkbox"/> Pair 768,- €	<input type="checkbox"/> Pair 768,- €	<input type="checkbox"/> Pair 128,- €

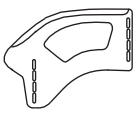
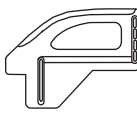
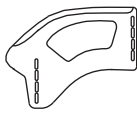

side pads for FIDIBUS back or with back upholstery

<p>side pads narrow shape angle-adjustable with joint element mounted on the spacer with bar</p> <p>Cover black MM190</p> <p>size side pads</p> <p><input type="checkbox"/> size S D=12cm H=6cm</p> <p><input type="checkbox"/> size M D=15cm H=7cm</p> <p><input type="checkbox"/> size L D=18cm H=8cm</p> <p><input type="checkbox"/> size XL D=20,5cm H=10cm</p> <p>W = SB-2,5cm</p> <p>W = width between the side pads</p>	<p>side pads foldable with straight pad splint mounted at a spacer</p> <p>Joint side pad holder flat foldable, with connecting joint and with straight pad splint</p>  <p>Code 22361</p>	<p>side pads foldable with straight pad splint mounted at a spacer</p> <p>Plug-in connection side pad holder flat, with connection joint and with straight pad splint</p>  <p>Code 22362</p>	<p>side pads foldable with ball joint element mounted at a spacer</p> <p>Joint side pad holder flat foldable, with connecting joint and with straight pad splint with ball</p>  <p>Code 22363</p>	<p>side pads pluggable with ball joint element mounted at a spacer</p> <p>Plug-in connection side pad holder flat, with connection joint and with pad splint with ball</p>  <p>Code 22364</p>	<p>additional set of joint elements</p> <p>2 additional joint elements for side pads (right and left)</p>  <p>Code 22369</p>
	<input type="checkbox"/> Pair 592,- €	<input type="checkbox"/> Pair 592,- €	<input type="checkbox"/> Pair 688,- €	<input type="checkbox"/> Pair 688,- €	<input type="checkbox"/> Pair 128,- €

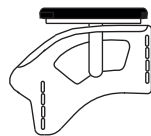
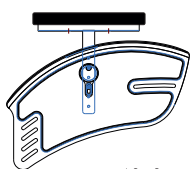
Technical changes and print mistakes reserved.

VD2372E-39

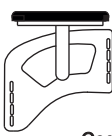
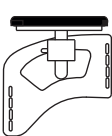
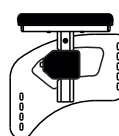
side guard

<p>Clothing guard round screwed on, aluminium with cold protection (in frame colour)</p>  <p>Code 2233</p>	<p>Clothing guard screwed on, plastic black not for frame size1</p>  <p>Code 430</p>	<p>Clothing guard round PC-Carbon screwed on (CARBON look)</p>  <p>Code 230</p>	<p>Clothing side guard ERGO AL aluminium with cold protection, screwed on (in frame colour)</p>  <p>Code 437</p> <p>not for frame size1</p>
<input type="checkbox"/> Pair 288,- €	<input type="checkbox"/> Pair 230,- €	<input type="checkbox"/> Pair 276,- €	<input type="checkbox"/> Pair 296,- €


side guard

<p>Clothing guard round, aluminium with cold protection and armrest screwed on (in colour of the wheelchair)</p> <p><input type="checkbox"/> armrest short Code 231</p> <p><input type="checkbox"/> armrest long Code 231L</p> 	<p>Clothing side guard ERGO AL, aluminium with cold protection and armrest short, screwed on (side guard in frame colour)</p> <p>armrest short</p> <p>Code 4371</p>  <p>not for frame size1</p>
Pair 335,- €	<input type="checkbox"/> Pair 364,- €


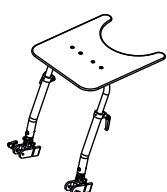
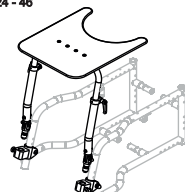
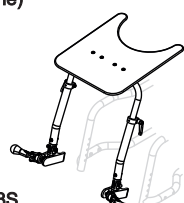
side guard

<p>Side guard, screwed on with armrest short and with cold protection</p>  <p>Code 238</p>	<p>Side guard screwed on with armrest height adjustable</p> <p>Standard type (for capacity up to 50kg) armrest with rail</p> <p><input type="checkbox"/> armrest long</p> <p><input type="checkbox"/> armrest short</p> <p>Code 233</p> 	<p>Strong type (for capacity up to 100kg) armrest holder with type profile</p> <p><input type="checkbox"/> armrest long</p> <p><input type="checkbox"/> armrest short</p> <p>Code 239</p>	<p>Side guard aluminium screwed with height adjustable armrest (with raster RACY)</p> <p>armrest holder with raster</p> <p><input type="checkbox"/> armrest long</p> <p><input type="checkbox"/> armrest short</p> <p>Code 235</p> 
<input type="checkbox"/> Pair 286,- €	Pair 348,- €	pair 364,- €	

side guard

<p>Side guard, screwed on aluminium with cold protection</p>  <p>Code 232</p>
<input type="checkbox"/> Pair 240,- €

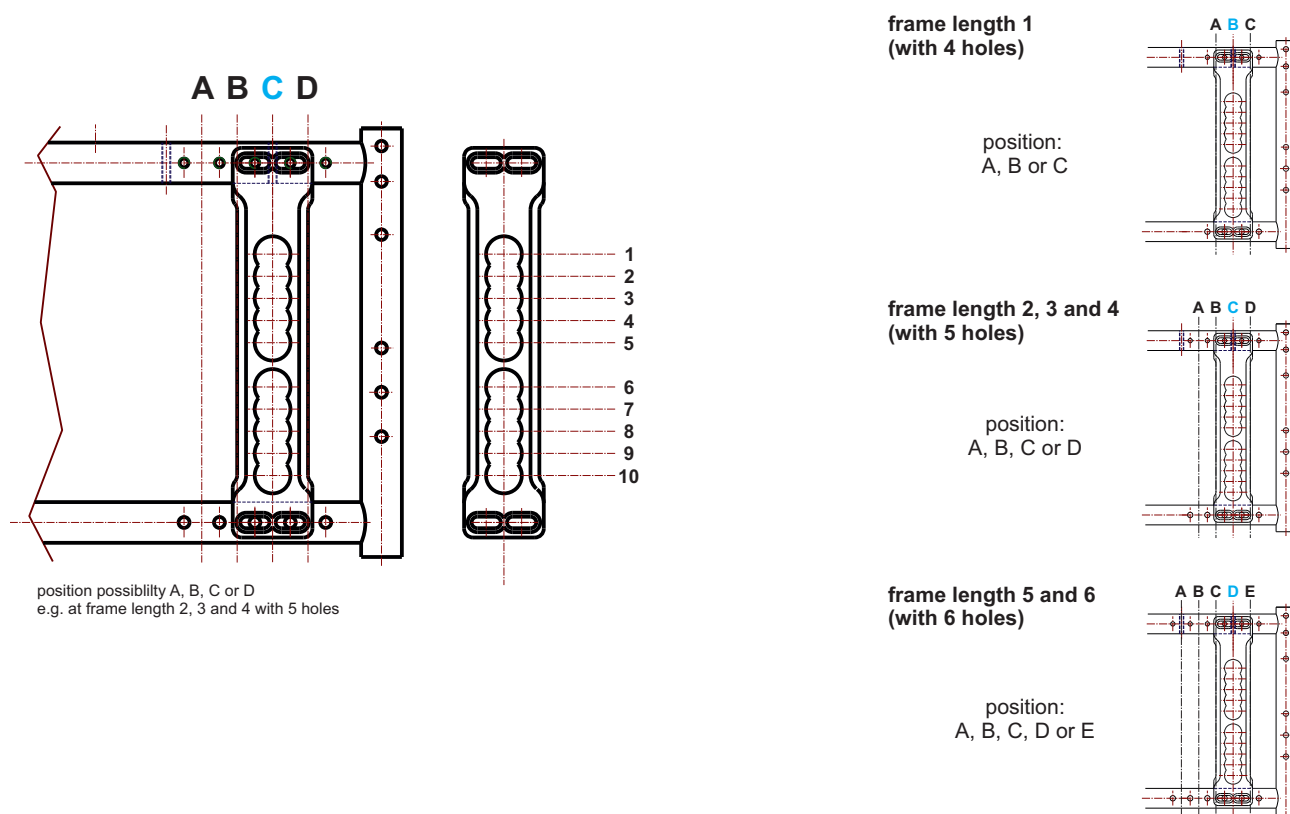
therapy tray

<p>Therapy tray swing away (only in combination with armrest long) from SW28</p>  <p><input type="checkbox"/> right mounted (standard)</p> <p><input type="checkbox"/> left mounted</p> <p>Code 134</p>	<p>Therapy tray clamped on the frame with clamp attachment on the frame</p> <p>abduction frame for SW 20 - 46</p> <p>straight frame for SW 24 - 46</p>  <p>Code 138</p>	<p>Therapy tray plug on the frame with plug attachment on the frame</p> <p>abduction frame for SW 20 - 46</p> <p>straight frame for SW 24 - 46</p>  <p>Code 139</p>	<p>Therapy tray on the frame quick release clamped (at the frame)</p>  <p>Code 138S</p>
Piece 308,- €	<input type="checkbox"/> Piece 478,- €	<input type="checkbox"/> Piece 478,- €	<input type="checkbox"/> Piece 502,- €

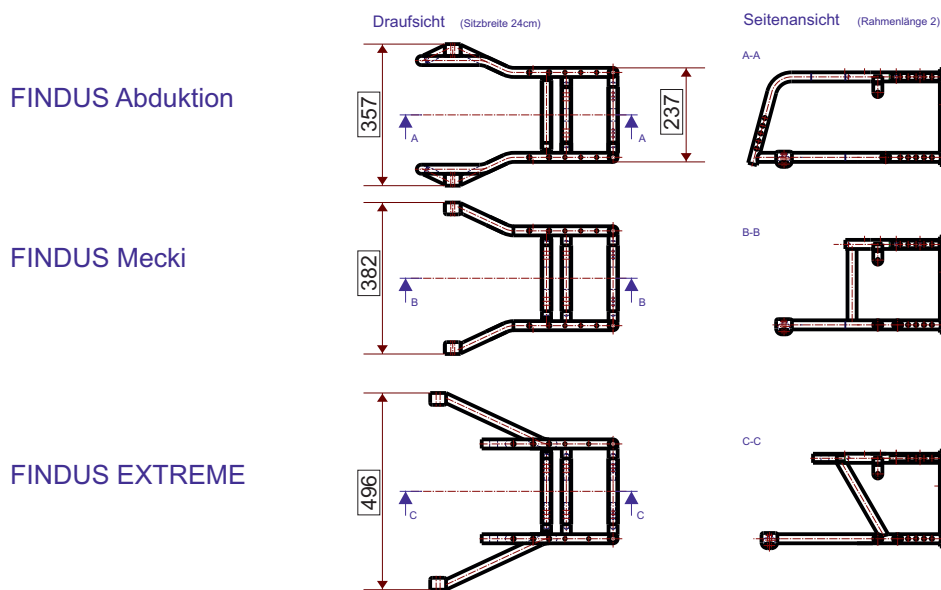
Technical changes and print mistakes reserved.

VD2372E-39

Position of wheel plate on the frame / wheel on the plate



Overview of the different frame forms




Sizes of frames of the open frame forms

Size	frame „Mecki“ seat depth	frame „EXTREME“ seat depth
1	22, 24, 26 oder 28cm	24, 26 oder 28cm
2	26, 28, 30 oder 32cm	28, 30 oder 32cm
3	30, 32, 34 oder 36cm	32, 34 oder 36cm
4	34, 36, 38 oder 40cm	38 oder 40cm

Note: - Seat depth is adjustable
- the frame size is independent of the seat width (SW 24 to SW 40cm is possible)

rear wheel spoken cover

<p>Spoken cover transparent</p>  <p><input type="checkbox"/> 20 inch Code 164</p> <p><input type="checkbox"/> 22 inch Code 165</p> <p><input type="checkbox"/> 24 inch Code 166</p>	<p>Spoke cover with special motives the prices for special spoke cover are net prices and not discountable !!</p> <p>www.thermedical.de</p> <p>Motiv-Nr.: _____ <input type="checkbox"/> 24"</p> <p>Take the Motiv-Nr. from the catalogue www.thermedical.de</p> <p><input type="checkbox"/> 22"</p> <p><input type="checkbox"/> 20"</p> <p>Code 2268</p>	<p>www.rs-speichenschutz.com</p> <p>Motiv-Nr.: _____ <input type="checkbox"/> 24"</p> <p>Take the Motiv-Nr. from the Design-spoke cover catalogue www.rs-speichenschutz.com</p> <p><input type="checkbox"/> 22"</p> <p><input type="checkbox"/> 20"</p> <p>Code 2267</p>
<p>Pair 180,- €</p>	<p>Pair Net price 232,- €</p>	<p>Pair Net price 220,- €</p>

Example



Please take more information to the spoke cover motives from each website

castor

Castor with screw axle short and Design fork, coloured


<p><input type="checkbox"/> 4 inch Skater solid Code 2130</p> <p><input type="checkbox"/> 4 inch solid grey Code 2131</p> <p><input type="checkbox"/> 5 inch solid grey Code 2132</p> <p><input type="checkbox"/> 5 inch solid black Code 2132S</p>	<p><input type="checkbox"/> 140mm solid soft grey Code 2230</p> <p><input type="checkbox"/> 140mm solid soft black Code 2231</p> <p><input type="checkbox"/> 6 inch solid grey Code 2133 *</p> <p><input type="checkbox"/> 6 inch solid black Code 2133S *</p> <p><input type="checkbox"/> 6 inch pneumatic grey Code 2136 *</p>	<p>plastic rim black with black PU tyre</p> <p><input type="checkbox"/> 4 inch PU solid black Code 2157</p> <p><input type="checkbox"/> 5 inch PU solid black Code 2158</p> <p><input type="checkbox"/> 6 inch PU solid black Code 2159 *</p> <p>Note: with 5" and 6" the smallest seat heights with castor fork short and extra short not possible!</p>
-----------------------------------------------------------------------------------------------------------------------------------------------------------------------------------------------------------------------------------------------------	----------------------------------------------------------------------------------------------------------------------------------------------------------------------------------------------------------------------------------------------------------------------------------------------------------------------------------	----------------------------------------------------------------------------------------------------------------------------------------------------------------------------------------------------------------------------------------------------------------------------------------------------------------------------------------------------------

Standard

castor

<p>Lightwheel Castor with LED-lights</p> <p><input type="checkbox"/> 4 inch Code 2130LED</p> <p><input type="checkbox"/> 5 inch Code 2139LED</p>	<p>Soft-aluminium castor black soft tyre (solid)</p> <table border="1"> <tr> <th>Aluminium rim silver</th> <th>Aluminium rim black</th> </tr> <tr> <td><input type="checkbox"/> 4 inch Code 2144</td> <td><input type="checkbox"/> 4 inch Code 2144S</td> </tr> <tr> <td><input type="checkbox"/> 5 inch Code 2145</td> <td><input type="checkbox"/> 5 inch Code 2145S</td> </tr> </table>	Aluminium rim silver	Aluminium rim black	<input type="checkbox"/> 4 inch Code 2144	<input type="checkbox"/> 4 inch Code 2144S	<input type="checkbox"/> 5 inch Code 2145	<input type="checkbox"/> 5 inch Code 2145S	<p>Castor solid with plastic rim black and black tyre (slim tyre)</p> <p><input type="checkbox"/> 4 inch Code 2134</p> <p><input type="checkbox"/> 5 inch Code 2135</p>	<p>Soft castor plastic rim black tyre (solid) soft plastic rim black</p> <p><input type="checkbox"/> 5 inch Code 2148</p> <p><input type="checkbox"/> 6 inch Code 2149</p>
Aluminium rim silver	Aluminium rim black								
<input type="checkbox"/> 4 inch Code 2144	<input type="checkbox"/> 4 inch Code 2144S								
<input type="checkbox"/> 5 inch Code 2145	<input type="checkbox"/> 5 inch Code 2145S								
<p>Pair OE 54,- €</p>	<p>Pair OE 102,- €</p>	<p>Pair OE 48,- €</p>	<p>Pair OE 66,- €</p>						

castor

<p>Design castor fork with quick release axle</p>  <p>Code 180</p>	<p>Quick release axle change kit with designgabel</p> <p><input type="checkbox"/> 4" Skater Code 2270</p> <p><input type="checkbox"/> 4" solid Code 2271</p> <p><input type="checkbox"/> 5" solid Code 2272</p> <p><input type="checkbox"/> 140mm soft Code 2273</p> <p><input type="checkbox"/> 6" solid Code 2274</p> <p><input type="checkbox"/> 6" pneumatic Code 2275</p> <p>only in combination with CODE 180</p>	<p>Bumper wheel 63mm at castor adapter (with extra cover)</p> <p>Code 2139</p>	
<p><input type="checkbox"/> Pair OE 168,- €</p>	<p>Set OE 288,- €</p>	<p><input type="checkbox"/> Pair OE 116,- €</p>	

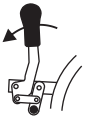





castor

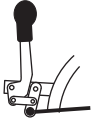

<p>Seat height in cm see possible wheel combination (without cushion)</p> <p>front: _____ cm (Standard = 43/44cm)</p> <p>back: _____ cm (Standard = 41/42cm)</p>		<p>Castor fork with "straight keeper" direction locking device for directional stability for 4", 5", 140mm or 6" wheel</p> <p>Code 281</p> <p>Note: castor with quick release not possible!</p>	<p>Castor fork with locking device (locking pin) direction locking device for directional stability for 4", 5", 140mm oder 6"-wheel</p> <p>Code 2285</p> <p>Note: castor with quick release not possible!</p>
		<p><input type="checkbox"/> Pair OE 198,- €</p>	<p><input type="checkbox"/> Pair OE 219,- €</p>

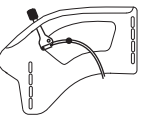
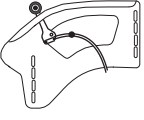
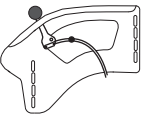
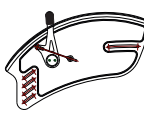


* Note: frame straight Size 1 and 2 with castor 6" not possible!

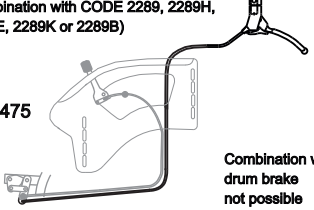


Technical changes and print mistakes reserved.

VD2372E-39

brake						
<p>Knee angle brake offset with short lever stroke</p>  <p><input type="checkbox"/> Code 174K</p>	<p>Brake lever extension straight, foldaway</p>  <p>Code 175</p>	<p>Knee angle brake "Pull to lock"</p>  <p>pull to lock the brake</p> <p>Code 174Pull</p>	<p>One hand brake with brake lever extension</p> <p><input type="checkbox"/> right <input type="checkbox"/> left</p> <p>Code 173</p>	<p>Knee angle brake offset with locking pin for locking</p>  <p>fixed in the braked position</p> <p><input type="checkbox"/> Code 174Rast</p>  <p>fixed in the braked and opened position</p> <p><input type="checkbox"/> Code 174RastD</p>  <p>fixed in the opened position</p> <p><input type="checkbox"/> Code 174RastO</p>		
Standard	<input type="checkbox"/> Pair 84,- €	<input type="checkbox"/> Pair OE 79,- €	Piece OE 278,- €	<input type="checkbox"/> OE 192,- €	<input type="checkbox"/> OE 292,- €	<input type="checkbox"/> OE 268,- €

brake			
<p>Knee angle brake 174K controlled by companion with bowden cable</p> <p>Combination with drum brake Code 140 / 159 / 160 or with Code 175 is not possible !!!</p>  <p>Code 2478</p>	<p>Code 2477</p> <p>only for mono push handle (CODE 2228) (with Y - switch)</p> <p><input type="checkbox"/> Pair OE 212,- €</p>	<p>additional knee angle brake only for companion, activated with bowden cable (alternative for drum brake) (additional knee angle brake under the frame mounted) Combination with drum brake not possible !</p>  <p>Code 2479</p>	<p>Code 2476</p> <p>only for mono push handles (CODE 2228) (with Y - switch)</p> <p><input type="checkbox"/> Pair 334,- €</p>
<input type="checkbox"/> Pair OE 212,- €	<input type="checkbox"/> Pair OE 309,- €	<input type="checkbox"/> Pair 334,- €	<input type="checkbox"/> Pair 432,- €

brake					
Knee angle brake integrated in side guard			Knee angle brake integrated in ERGO AL side guard		
<p>with brake lever long cap (rubber)</p>  <p><input type="checkbox"/> Code 2289</p>	<p>with brake lever short hemisphere 2-piece screwed</p>  <p><input type="checkbox"/> Code 2289H</p>	<p>with brake lever curved ball Ø32mm screwed</p>  <p><input type="checkbox"/> Code 2289A</p>	<p>with brake lever long cap (rubber)</p>  <p><input type="checkbox"/> Code 2289E</p>	<p>with brake lever short hemisphere 2-piece screwed</p>  <p><input type="checkbox"/> Code 2289K</p> <p>for frame size 1 not possible</p>	<p>with brake lever curved ball Ø32mm screwed</p>  <p><input type="checkbox"/> Code 2289B</p>
Pair only in combination with side guard CODE 2233, 232 or 230 OE 179,- €			Pair only in combination with side guard ERGO AL CODE 437 OE 182,- €		



brake	accessories		
<p>Brake for companion by brake in side guard with additional bowden cable for the companion (only in combination with CODE 2289, 2289H, 289A, 2289E, 2289K or 2289B)</p>  <p>Code 2475</p> <p>Combination with drum brake not possible</p> <p><input type="checkbox"/> Pair OE 224,- €</p>	<p>Note:</p> <p>The wheelchair FINDUS is tested and approved for transport in the car even without anchor plate (ISO 7176-19). The wheelchair must be equipped with a restraint system at the defined positions be attached to the wheelchair.</p> 		<p>Anchor plate system</p> <p>anchor plates for transport in cars (ISO 7176-19) Assembly kit for wheelchairs including mounting</p>  <p>Code 2288</p> <p><input type="checkbox"/> Set 895,- €</p>
			<p>Note:</p> <p>Anchor plate by special frame "Mecki" and "EXTREME" is not possible!!!</p> <p>Note:</p> <p>Trike with Anchor plate is possible!!!</p>


note

Note: the combination knee angle brake integrated in side guard Code 2289 / 2289H or 2289A and with additional knee angle brake Code 2479 or 2476 is with frame size 1 only with 20" wheel possible !!


Technical changes and print mistakes reserved.

VD2372E-39

<i>Findus</i>		accessories	
<p>traking extension TRIKE as steering and pushing aid</p> <p>hook closure </p> <p>capacity up to 60kg (wheelchair incl. payload)</p> <p>size 1: seat width 28cm - 28cm size 2: seat width 30cm - 34cm</p> <p style="text-align: center;">CODE 9901</p>	<p># holder lateral at frame (for type d.23) with hook closure</p> <p># casor 10x2" black alu fork</p> <p># arrangement with gear segment</p> <p># with ramp as mounting aid</p> <p>capacity up to 90kg (wheelchair incl. payload)</p> <p>size 3: seat width 36cm - 40cm size 4: seat width 42cm - 46cm</p> <p style="text-align: center;">CODE 9902</p>	<h1 style="text-align: center;">Trike</h1> <p style="text-align: center;">traking extension as steering and pushing aid</p> 	
<input type="checkbox"/> Piece 489,- €	<input type="checkbox"/> Piece 629,- €		

<i>Findus</i>		accessories	
<p>traking extension TRIKE as steering and pushing aid</p> <p>quick release (clamp) </p> <p>capacity up to 60kg (wheelchair incl. payload)</p> <p>size 1: seat width 28cm - 28cm size 2: seat width 30cm - 34cm</p> <p style="text-align: center;">CODE 9921</p>	<p># holder quick release (clamp) at frame (for pipe Ø 23mm)</p> <p># castor 10x2" black alu fork</p> <p># arrangement of levers with gear segment</p> <p># with ramp as mounting aid</p> <p># with adjusting ring at frame (Ø 23mm)</p> <p>capacity up to 90kg (wheelchair incl. payload)</p> <p>size 3: seat width 36cm - 40cm size 4: seat width 42cm - 46cm</p> <p style="text-align: center;">CODE 9922</p>	<p style="text-align: center;">Note:</p> <p style="text-align: center;">Combination TRIKE hook closure with anchor plate system is <u>not</u> possible!!</p> <p style="text-align: center;">Combination TRIKE quick release with anchor plate system is possible !!</p> <p style="text-align: center;">Combination TRIKE-Mono with anchor plate system is possible !!</p>	
<input type="checkbox"/> Piece 498,- €	<input type="checkbox"/> Piece 639,- €		

TRIKE colour frame Edition "....-Color"				
<p>Note: the TRIKE frame parts are made of aluminium</p>	<p>TRIKE- frame colour powder coated</p> <p>Colour : frame colour (see page 1)</p> <ul style="list-style-type: none"> - frame type right / left - cross tube - castor fork <p style="text-align: center;">Code 9908</p>	<p>Edition "Duo-Color"</p> <p>colour 1: _____ (castor fork)</p> <p>colour 2: _____ (frame type right / left, cross tube)</p> <p style="text-align: center;">Code 9909</p>	<p>Castor fork with brake for directional stability</p> <p style="text-align: center;">Code 9909F</p>	<p>without extra charge <input type="checkbox"/> OE 136,- €</p> <p style="text-align: center;"><input type="checkbox"/> OE 146,- €</p> <p style="text-align: right;"><input type="checkbox"/> Piece OE 156,- €</p>

<i>Findus</i>		asseccories	
<p>trekking extension TRIKE-Mono</p> <p>with mono bar central mounted at the frame</p> <p style="text-align: center;">CODE 9910</p>	<p># holder quick release (clamp) at the frame of the FINDUS</p> <p># castor 10x2" black alu fork</p> <p># mono bar telescopic</p> <p># with ramp as mounting aid</p> <p>capacity up to 50kg (wheelchair incl. payload)</p>	<h1 style="text-align: center;">Trike-Mono</h1> <p style="text-align: center;">trekking extension as steering and pushing aid</p>  <p>Note: -> only up to seat width (SW) 32cm possible -> capacity up to 50 kg -> only for frame length 1-4 -> not for One Hand Drive possible</p> <p>Note: the single footrest plate mounted central (Code 2259) is in combination with TRIKE-Mono not possible!!</p>	
<input type="checkbox"/> Piece			498,- €

TRIKE colour frame Edition "....-Colour"				
<p>Note: the TRIKE frame parts are made of aluminium</p>	<p>TRIKE- frame colour powder coated</p> <p>Colour : frame colour (see page 3)</p> <ul style="list-style-type: none"> - tupe Mono-Trike - castor holder - castor fork <p style="text-align: center;">Code 9918</p>	<p>Edition "Duo-Color"</p> <p>colour 1: _____ (castor fork)</p> <p>colour 2: _____ (mono frame tube)</p> <p style="text-align: center;">Code 9919</p>	<p>Castor fork with brake for directional stability</p> <p style="text-align: center;">Code 9909F</p>	<p>without extra charge <input type="checkbox"/> OE 136,- €</p> <p style="text-align: center;"><input type="checkbox"/> OE 146,- €</p> <p style="text-align: right;"><input type="checkbox"/> Piece OE 156,- €</p>

note

Technical changes and print mistakes reserved.

VD2372E-39

General Terms and Conditions of Business (GTC)

Validity

All sales are subject to our delivery and payment conditions, without any exception. Orders and other agreements will not be valid unless confirmed by us in writing. We expressly object to the customer's purchase conditions.

Quotations and contract conclusion

Quotations are always subject to change, unless they are expressly limited in terms of time. Orders require a written confirmation. After confirmation, prices quoted in orders are fixed but we reserve the right to make adequate price adjustments in the event of price increases for which we are not responsible (e.g. tax increases, wage increases, price changes on the part of our suppliers). Cost estimates for customized products and repairs are always non-binding. We reserve the right to make technical modifications. The contract will not be concluded before the order is confirmed.

Shipment

To the extent the customer has not made any specification, shipment will be made in usual packaging using an adequate method. Insurance will only be taken out upon request and at the expense of the customer.

Delivery will be made carriage forward. We are free to select a method of shipment. If the customer has special requests, e.g. express delivery, express freight, etc., the additional cost will also be borne by the recipient. The goods will always be shipped at the buyer's risk. In case of damage during transport, the recipient must apply for an ascertainment of the facts with the respective forwarding agent.

Prices

All prices quoted by BEROLLKA will be quoted ex works, excluding any applicable statutory value added tax, public charges and levies such as potential customs tariffs, and insurance and packaging costs that will be charged separately.

Minimum quantity surcharge

If a small order is placed with a net value below 20 euros, an additional lump-sum minimum quantity surcharge of 15.00 euros will additionally be charged to cover administrative costs.

Delivery periods

The delivery dates and periods stated are subject to change. Any delay in delivery will not entitle the customer to withdraw from the contract. The assertion of damage claims is ruled out. BEROLLKA can make partial deliveries for justified reasons.

Wrong orders / return of merchandise

Any goods erroneously ordered will only be taken back provided we are responsible for such an error and the merchandise is in impeccable condition. In the event that an item erroneously ordered or merchandise that was returned is taken back in an individual case as a gesture of goodwill, attention must be paid to the following:

1. It is necessary to state the article number, the designation of the article, the date and number of the delivery note and the invoice number.
2. The return shipment must be carriage paid.
3. The merchandise must correspond to the article number(s) listed in the delivery note. In no event will any individual parts removed from an article be taken back.
4. The returned merchandise must be in impeccable condition.
5. Processing fees amounting to 10% of the net merchandise value not, however, less than €35.- will be charged for any instance where goods are taken back.

Deliveries effected more than 3 months earlier as well as sewing pieces and customized products cannot be exchanged. A copy of the delivery note or of the invoice will serve as proof in this regard.

Warranty and notices of defects

Excluding any further claims, the seller is liable for defects of the merchandise in that the seller will mend or replace all those parts free of charge that have become defective or unusable within 6 months due to provable defects of material or workmanship, and of which the seller has been notified in writing immediately after knowledge was gained of the defect. Should longer periods of time be required for statutory reasons, the warranty period is agreed to be 12 months.

The customer must grant the seller the required time and opportunity for effecting delivery of the replacement parts. Replaced parts will become the property of the seller. The buyer must check the merchandise without undue delay after it has been delivered by the seller and, if a defect is found, notify the seller of the defect without undue delay. Should the buyer fail to notify the seller, the merchandise will be deemed accepted unless a defect occurs that could not have been found when the merchandise was checked.

In any event in which a complaint is brought to the notice of BEROLLKA, BEROLLKA invariably has the right to inspect and check the item delivered that is the subject matter of said complaint, for which the customer will grant BEROLLKA the required time and opportunity. BEROLLKA can also demand that the customer sends the item delivered that is the subject matter of a complaint back to BEROLLKA at the expense of BEROLLKA. Should a notice of defects given by the customer turn out to be wilfully or gross negligently unfounded, the customer will be obliged to compensate BEROLLKA for any and all expenses incurred in this connection. BEROLLKA will be entitled to remedy warranty defects at its own discretion either by rectification of the defect or by replacement of the defective part or of the entire item delivered at no cost for the customer. Should the customer itself repair an item that gave rise to a complaint, or should the customer endeavour to rectify the defects itself without prior written approval of the seller, the seller will not grant any claims for reimbursement of expenses (such as transport, road, labour or material costs) or warranty claims.

The following are excluded from the liability for damages:

damage arising from natural wear and tear, damage due to negligent and/or improper treatment, or violent damage. A revocation of the purchase contract, a reduction of the purchase price or damage claims of any kind are ruled out. The warranty obligation will cease if repairs and/or modifications or replacements of individual parts are performed by other parties than the seller or the delivering company.

Reservation of title

With regard to resellers: The merchandise delivered will remain our property until any and all invoices – also for different deliveries – have been fully paid. Our merchandise that is hence still our property may only be resold within the ordinary course of business. Amounts receivable from any resale are assigned to us. We must be notified without undue delay and on the reseller's own initiative of any disposal of said merchandise outside of the ordinary course of business, e.g. through pledging our property or amounts receivable assigned to us.

Terms of payment

Any invoices are payable within 30 days from the date of the invoice strictly net cash. A 2% discount will be granted for payments received within 8 days provided any and all payment claims under earlier deliveries have been settled. We are entitled to charge default interest if the 30-day payment deadline is exceeded. The interest rate will be the customary market rate charged by major banks. We expressly reserve the right to effect delivery with cash on delivery.

Data Protection

BEROLLKA and the customer are responsible themselves for compliance with the respective data protection rules applicable to them. The customer must not provide BEROLLKA with personal data that is illegal or that the customer is not legally authorised to distribute.

The place of performance and the place of jurisdiction will be the place where the invoice is issued.

Heidelberg, Germany, will be the exclusive place of jurisdiction for any and all disputes arising under the contractual relationship. However, BEROLLKA is entitled to sue the customer at any other legal venue. These General Terms and Conditions of Business are governed by the laws of the Federal Republic of Germany, excluding of the United Nations Convention on Contracts for the International Sale of Goods of Goods (CISG).

Technical modifications and printing errors excepted. A current list of prices can be ordered at any time.