

Adress

Shipping address see address

Com.:

Order
 Estimate

Purchaser: _____

Telephone: _____



Basic Price 2730,- €

Configuration: **BASIC-Line**

Price valid from January 1st 2026
(until revoked)

Little



Activ children wheelchair made of aluminium, foldable
Frame straight or with abduction

All dimensions in cm
Dimensions tol. +/- 0,5cm

Capacity up to
100 kg (SW 24 and 26cm)
120 kg (SW 28 till 36cm)

user weight: _____ kg

Technical changes and print mistakes are reserved.

Little _{SLT} frame		Little _{AR}	
Frame with integrated footrest (without footrest and without side-guard)		Frame with detachable footrest (without footrest and without side-guard)	
<p>frame straight</p> <p>SD 26 - 38</p> <p><input type="checkbox"/> Code 2421</p>	<p>Abduction frame *</p> <p>SD 26 - 32 frame short SD 34 - 38 frame long</p> <p><input type="checkbox"/> Code 2422</p>	<p>frame straight</p> <p>SD 26 - 34 frame middle SD 36 - 38 frame long</p> <p><input type="checkbox"/> Code 2428</p>	<p>Abduction frame *</p> <p>SD 26 - 34 frame short SD 36 - 38 frame long</p> <p><input type="checkbox"/> Code 2429</p>
<p>Length of the frame</p> <p>frame straight: 51cm = standard (SD 26-38)</p> <p>Abduction frame: 54cm = short (SD 26-32), 57cm = long (SD 34-38)</p>		<p>Length of the frame with foot-rest holder</p> <p>frame straight: 54cm = middle (SD 26-34), 58cm = standard (SD 36/38)</p> <p>Abduction frame: 52cm = short (SD 26-34), 56cm = long (SD 36/38)</p>	
<p>* from 4° camber possible</p> <p>• Total length depends on the wheel position and position of the footrest</p> <p>• Frame length for UNITOMIC L+3cm</p>			

* frame straight Code 2421 not possible (only with abduction frame Code 2422) !!!

basic measures

<p>Seat width (SW)</p> <p><input type="checkbox"/> 24 <input type="checkbox"/> 26 <input type="checkbox"/> 28 <input type="checkbox"/> 30</p> <p><input type="checkbox"/> 32 <input type="checkbox"/> 34 <input type="checkbox"/> 36</p>	<p>Seat depth (SD)</p> <p><input type="checkbox"/> 26 <input type="checkbox"/> 28 <input type="checkbox"/> 30 <input type="checkbox"/> 32</p> <p><input type="checkbox"/> 34 <input type="checkbox"/> 36 <input type="checkbox"/> 38</p>	<p>Back height (BH)</p> <p><input type="checkbox"/> 25 <input type="checkbox"/> 30</p> <p><input type="checkbox"/> 35 <input type="checkbox"/> 40</p> <p>(+2,5cm adjustable)</p>	<p>Lower Leg Length (LLL):</p> <p>LLL: cm (regarding seat upholstery)</p> <p>min. 12 cm (without cushion) max. 45 cm</p> <p>max. LLL = SH - 3cm</p> <p>Technical data see back side</p>
---	---	---	--

Please note the details for frame long and short!!

seat height

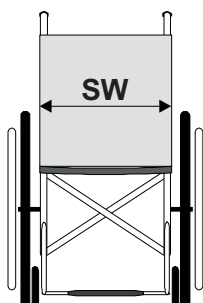
	<p>Seat height in cm (without cushion)</p> <p>front: _____ cm (Standard = 48/49cm)</p> <p>back: _____ cm (Standard = 45/46cm)</p>
--	--

VD2362E-31

Technical data

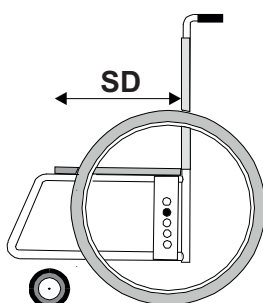
seat width **SW**

from outside crossbar to outside crossbar +6mm



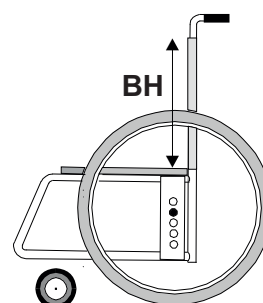
seat depth **SD**

from back tube to upper edge seat upholstery



back height **BH**

from upper edge seat upholstery to upper edge back upholstery



Lower Leg Length LLL:

15 to 42 cm

Total width wheelchair:

with wheels and handrim
with drum brake

SW + 18 cm
SW + 20 cm

Folding measurement:

with wheels
with drum brake
without wheels

about 30cm
about 32cm
about 22cm

Seat height **SH**

Little

Technical changes and print mistakes are reserved.





















Rear wheel	Castor fork	minimum seat height		maximum seat height	
		front	back	front	back
20 inch	4 inch - short	44 cm	36 cm*	46 cm	46 cm
	5 inch - short	44 cm	36 cm*	47 cm	46 cm
	6 inch - short	45 cm	36 cm*	48 cm	46 cm
	140 mm - wide	46 cm	36 cm*	50 cm	46 cm
22 inch	4 inch - short - long	43 cm 46 cm	39 cm* 39 cm*	46 cm 50 cm	46 cm 49cm
	5 inch - short - long	44 cm 47 cm	39 cm* 39 cm*	47 cm 51 cm	46 cm 49 cm
	6 inch - short - long	45 cm 48 cm	39 cm* 39 cm*	48 cm 52 cm	48 cm 51 cm
	140 mm - wide	46 cm	39 cm*	50 cm	49 cm
















All measurements ± 0,5 cm









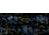
*Advice: with drum brake you have to add 2cm!!


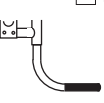
Notice: at the castor wheels **PU-black** are the minimal seat height with the fork short and extra short not possible

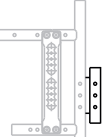
VD2362E-31

		frame colour				Because of the material are different colours possible						
shiny	<input type="checkbox"/>		25 RAL9010 white	<input type="checkbox"/>		06 dormant red	<input type="checkbox"/>		44 RAL5015 sky blue met.	<input type="checkbox"/>		51 apple green metallic
	<input type="checkbox"/>		56 RAL1021 gold yellow met.	<input type="checkbox"/>		40 red metallic	<input type="checkbox"/>		16 RAL5002 ultramarine blue	<input type="checkbox"/>		45 RAL6018 yellow green
	<input type="checkbox"/>		24 RAL1028 melon yellow	<input type="checkbox"/>		43 RAL4010 telemagenta met.	<input type="checkbox"/>		17 dormant blue	<input type="checkbox"/>		60 mojit green met.
	<input type="checkbox"/>		27 mandarin met.	<input type="checkbox"/>		53 cassis	<input type="checkbox"/>		64 petrol green met.	<input type="checkbox"/>		19 silver metallic
	<input type="checkbox"/>		41 RAL3020 trafficed red met.	<input type="checkbox"/>		59 atlantic blue met.	<input type="checkbox"/>		50 apple green	<input type="checkbox"/>		23 RAL9005 black met. = metalized

		frame colour				Because of the material are different colours possible						
mat / satined	<input type="checkbox"/>		76 white satined	<input type="checkbox"/>		69 purpur met. satined	<input type="checkbox"/>		75 petrol green met. satined	<input type="checkbox"/>		73 yellow green met. satined
	<input type="checkbox"/>		65 gold yellow met. satined	<input type="checkbox"/>		61 cool mint mat	<input type="checkbox"/>		74 mojit green met. satined	<input type="checkbox"/>		77 silver metallic satined
	<input type="checkbox"/>		66 mandarin met. satined	<input type="checkbox"/>		72 sky blue met. satined	<input type="checkbox"/>		71 atlantic blue met. satined	<input type="checkbox"/>		22 RAL9011 black mat
	<input type="checkbox"/>		67 traffic red satined	<input type="checkbox"/>		70 ultramarine blue satined	<input type="checkbox"/>					
	<input type="checkbox"/>		68 telemagenta met. satined									

		upholstery colours					
upholstery standard	<input type="checkbox"/>		DE290 black				
	upholstery breathable fabric	<input type="checkbox"/>		AG410 yellow	<input type="checkbox"/>		AG451 king blue
		<input type="checkbox"/>		AG430 red	<input type="checkbox"/>		AG460 lemon
		<input type="checkbox"/>		AG441 pink	<input type="checkbox"/>		AG470 grey
		<input type="checkbox"/>		AG450 ultramarine	<input type="checkbox"/>		AG490 black
only for adjustable back upholstery							
Code 201							
OE 68,- €							

		frame accessories				
Technical changes and print mistakes are reserved.	Tip shackle	Transit wheels	Walking stick holder, aluminium, with a loop for 2 crutches	Anti-tip wheel	Anti-tip wheel high adjustable and with gear segment	
	<input type="checkbox"/> right <input type="checkbox"/> left		<input type="checkbox"/> right <input type="checkbox"/> left	<input type="checkbox"/> right <input type="checkbox"/> left	<input type="checkbox"/> right <input type="checkbox"/> left	
		Code 102	Code 103	Code 104	Code 2405	
	Code 105	Pair	Piece	Piece	Piece	
	Piece 74,- €	Pair 248,- €	Piece 87,- €	Piece 148,- €	Piece 188,- €	


		note
Adapter for frame attachments if a 3rd or 4th attachment part is required		
		
Code 104A		
<input type="checkbox"/> 1 piece <input type="checkbox"/> 2 pieces		
max. 2 adapter possible		
84,- € each		

VD2362E-31

	BASIC-Line	TREND-Line	HIGH-Line
Edition-Line Little	<p>The BASIC-Line is the standard equipment. There are only certain parts in the frame colours powder-coated and the upholstery is standard.</p> <p><input type="checkbox"/> Code 439B</p>	<p>If you order the TREND-Line there are a variety of attachments also in colour of the wheelchair. And it is possible, to select a breathable upholstery.</p> <p>Code 439T</p>	<p>The HIGH-Line optimizes the design by ordering many attachments in colour of the wheelchair. And it is possible to order the upholstery in SLIMLINE-Design.</p> <p>Code 439H</p>
	standard	<input type="checkbox"/> Piece OE 108,- €	<input type="checkbox"/> Piece OE 258,- €

frame accessories

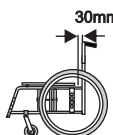
Overview for Edition-Line Little

	BASIC-Line	TREND-Line	HIGH-Line	
axle plate	black anodized			
shell for axle plate			black anodized	
handrim aluminium			black anodized	
castor adapter				colour of the wheelchair
cap for castor adapter			colour of the wheelchair	
cap for extender			colour of the wheelchair	
fork			colour of the wheelchair	
footplate		colour of the wheelchair		
front frame parts	colour of the wheelchair	colour of the wheelchair	colour of the wheelchair	
back frame parts				
cross bar				
footrest holder (Little 2428/2429)				
side guard				
upholstery standard	upholstery		upholstery	
upholstery breathable fabric and uni coloured		upholstery	upholstery	
upholstery breathable fabric SLIMLINE-Design			upholstery	
Edition-Line Little	Standard	include CODE 201	include CODE 201 include CODE 202 SLIMLINE-Design for adjustable, breathable back upholstery  bicoulored upholstery (other data see Page 3)	

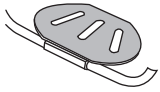
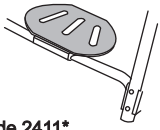
Technical changes and print mistakes are reserved.

VD2362E-31

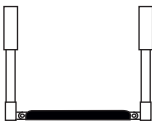
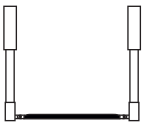
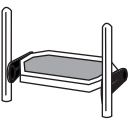
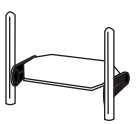
frame

<p>Frame part +30mm backwards only for straight back</p> <p>Code 204</p>  <p>back tube 30mm displaced backwards (e.g. for straight back with back shell)</p> <p><input type="checkbox"/> OE 120,- €</p>	<p>Spasticity frame back frame by street (reinforced version)</p> <p>recommended with strong spasticity</p> <p>Code 426</p> <p><input type="checkbox"/> OE 352,- €</p>	
---	---	--

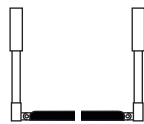
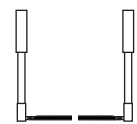
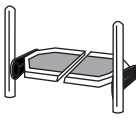
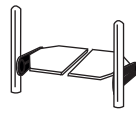
footrest

<p>Single footrest, angle adjustable from LLL 35</p>  <p>Code 2410</p>	<p>Single footrest, angle adjustable and mounted in frame LLL 15 - 32cm</p>  <p>Code 2411*</p>	<p>* Note: Frame straight from SW 28 Abduction frame from SW 24</p>
<input type="checkbox"/> Piece 318,- €	<input type="checkbox"/> Piece 330,- €	

footrest


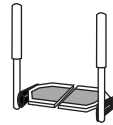
<p>Single footrest alu-profile, angle adjustable, in colour from LLL 35cm</p>  <p>Code 2412</p>	<p>Single footrest flat-profile, angle adjustable, in colour from LLL 35cm</p>  <p>Code 2432</p>	<p>Single footrest alu-profile, mounted in frame with clamp plate from LLL 12 - 35 from SW 26</p>  <p>Code 2413</p> <p>Clamp plate:</p> <input type="checkbox"/> 60mm <input type="checkbox"/> 85mm <input type="checkbox"/> 145mm	<p>Single footrest flat-profile, mounted in frame with clamp plate from LLL 12 - 35</p>  <p>Code 2433</p> <p>Clamp plate:</p> <input type="checkbox"/> 60mm <input type="checkbox"/> 85mm <input type="checkbox"/> 145mm
<input type="checkbox"/> Piece 324,- €	<input type="checkbox"/> Piece 324,- €	<input type="checkbox"/> Piece 338,- €	<input type="checkbox"/> Piece 338,- €

footrest

<p>Double footrest alu-profile, angle adjustable, in colour from LLL 35</p>  <p>Code 2414</p>	<p>Double footrest flat-profile, angle adjustable, in colour from LLL 35 from SW 26</p>  <p>Code 2434</p>	<p>Double footrest alu-profile, mounted in frame with clamp plate from LLL 12 - 35 from SW 28</p>  <p>Code 2415</p> <p>Clamp plate:</p> <input type="checkbox"/> 60mm <input type="checkbox"/> 85mm <input type="checkbox"/> 145mm	<p>Double footrest flat-profile, mounted in frame with clamp plate from LLL 12 - 35 from SW 28</p>  <p>Code 2435</p> <p>Clamp plate:</p> <input type="checkbox"/> 60mm <input type="checkbox"/> 85mm <input type="checkbox"/> 145mm
<input type="checkbox"/> Pair 354,- €	<input type="checkbox"/> Pair 354,- €	<input type="checkbox"/> Piece 368,- €	<input type="checkbox"/> Piece 368,- €

* frame straight from SW 28
frame abduction from SW 24

footrest

<p>Single footrest alu-profile, displaced* with footrest tube and clamp plate, angle adjustable from LLL 28</p>  <p>Code 2417</p> <p>Clamp plate 85mm</p>	<p>Double footrest alu-profile, displaced* with footrest tube and clamp plate, angle adjustable from LLL 28 from SW 28</p>  <p>Code 2416</p> <p>Clamp plate 60/85mm</p>	<p>Spasticity locking for single footrest</p> <table border="1"> <tr> <th>footrest alu-profile</th> <th>footrest alu. flat-profile</th> </tr> <tr> <td>Code 122</td> <td>Code 1122</td> </tr> <tr> <td><input type="checkbox"/></td> <td><input type="checkbox"/></td> </tr> </table>	footrest alu-profile	footrest alu. flat-profile	Code 122	Code 1122	<input type="checkbox"/>	<input type="checkbox"/>	<p>Spasticity locking for double footrest</p> <table border="1"> <tr> <th>footrest alu-profile</th> <th>footrest alu. flat-profile</th> </tr> <tr> <td>Code 123</td> <td>Code 1123</td> </tr> <tr> <td><input type="checkbox"/></td> <td><input type="checkbox"/></td> </tr> </table>	footrest alu-profile	footrest alu. flat-profile	Code 123	Code 1123	<input type="checkbox"/>	<input type="checkbox"/>
footrest alu-profile	footrest alu. flat-profile														
Code 122	Code 1122														
<input type="checkbox"/>	<input type="checkbox"/>														
footrest alu-profile	footrest alu. flat-profile														
Code 123	Code 1123														
<input type="checkbox"/>	<input type="checkbox"/>														
<input type="checkbox"/> Piece 362,- €	<input type="checkbox"/> Piece 385,- €	<input type="checkbox"/> Piece OE 89,- €	<input type="checkbox"/> Pair OE 154,- €												

note

Technical changes and print mistakes are reserved.

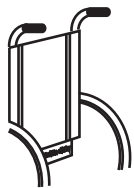
VD2362E-31

Height of push handles

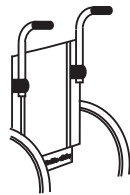
Height of push handles for companion = Back height + Seat height + Height of push handle

$$\text{Height of push handles for companion} = \text{BH} + \text{SH} + \text{HPH}$$

Back
standard

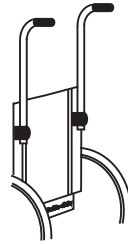


15cm
normal

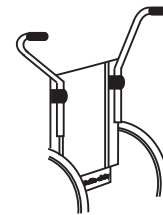


Back with height adjustable push handle

35cm
long

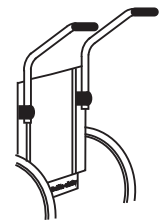


45cm
extra long
reinforced



cropped

bent rewards



HPH

min.

max.

3cm

4cm

19cm

4cm

39cm

4cm

49cm

21cm


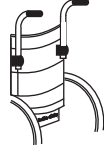

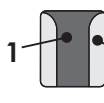
38cm





push handle
each side 6cm
outside

12cm



29cm

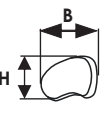


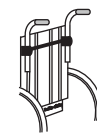

push handle
each side 9cm
backwards

back				
Back with adjustable upholstery  <input type="checkbox"/> Code 447	Back with adjustable upholstery and hight adjustable handles <input type="checkbox"/> 15cm (standard) <input type="checkbox"/> 35cm (long) <input type="checkbox"/> cropped <input type="checkbox"/> bent rewards  Code 448	Gear segment for back angle adjuation for straight back from BH 35  Note: Only in combination with CODE 447 or 448 possible !! Code 407	SlimLine-Design for adjustable, breathable back upholstery (fabric 74, 75, 89, 92, 94, 95 und 96)  Colour 1 (inside): _____ Colour 2 (outside): _____ bicoloured upholstery Code 202	OE 266,- € OE 210,- € OE 86,- €
Standard	Piece	Piece	Piece	

back				
Back UNITOMIC * with adjustable upholstery (anatomical back) from BH 35  Note: Choose seat-depth 2cm shorter Code 412	Back UNITOMIC * with adjustable upholstery and adjustable handles from BH 35  Note: Choose seat-depth 2cm shorter Code 410	Gear segment for back angle adjuation for UNITOMIC back from BH 40  Note: only in combination with CODE 410 or 412 possible !! Code 411	FIDIBUS back with clips ergonomic back cushion with clips extrem light ergonomic formed back  <input type="checkbox"/> curved back 30mm (standard) Code 2292F <input type="checkbox"/> curved back 50mm Code 2292F-5 Please take prices and further information from FIDIBUS order form	OE 276,- € OE 510,- € OE 210,- € OE 632,- €
Piece	Piece	Piece	Piece	

back			seat	
FIDIBUS ASR back				
anatomical shaped back plate ASR with Clips Alu-back plate coloured, curved and beveled (without cushion) colour: frame colour 30mm curved back (standard) <input type="checkbox"/> CODE 2294F 50mm curved back <input type="checkbox"/> CODE 2294F-5	anatomical shaped back plate ASR lockable Alu-back plate coloured, curved and beveled (without cushion) colour: frame colour 30mm curved back (standard) <input type="checkbox"/> CODE 2294FV 50mm curved back <input type="checkbox"/> CODE 2294FV-5	anatomical shaped back cushion ASR back cushion (foam) with cover (without plate) 30mm curved back (standard) <input type="checkbox"/> CODE 2296A 50mm curved back <input type="checkbox"/> CODE 2296A-5	Cushion compounded foam with black cover Code 119 <input type="checkbox"/> 3 cm Code 120 <input type="checkbox"/> 5 cm	Cushion, compounded foam with breathable cover Code 471 <input type="checkbox"/> Code 472 <input type="checkbox"/> Colour: _____
Piece	Piece	Piece	Piece	Piece
OE 432,- €	OE 632,- €	OE 369,- €	112,- €	76,- €

seat			Seat cushion by wheelchair with back upholstery	Seat cushion by wheelchair with MATRIX- or FIDIBUS back
Seat belt black Plastic closure Code 227 <input type="checkbox"/> Piece 75,- € Metal closure Code 125 <input type="checkbox"/> Piece 88,- €	Safy seat belt with cushion, black 2-point seat belt with metal closure Code 124 <input type="checkbox"/> Piece 167,- €	Safy seat belt with cushion, black 4-point seat belt with metal closure Code 124-4 <input type="checkbox"/> Stück 213,- €	FIDIBUS-F ergonomic seat cushion straight at the back extrem light ergonomic formed seat cushion from SW 24 from SD 26  Code 2291F Please take prices and further informations from the FIDIBUS oder form <input type="checkbox"/> Piece OE 574,- €	FIDIBUS ergonomic seat cushion extrem light ergonomic formed seat cushion from SW 24 from SD 26  Code 2291 Please take prices and further informations from the FIDIBUS oder form <input type="checkbox"/> Piece OE 574,- €

accessories						
Measurements headrest  H B mini 12cm 20cm medium 15cm 28cm big 18cm 34cm	headrest standard imitation leather MM190 black with standard-back for back with CODE 447 with height adjustable push handles for back with CODE 448 a. 410 Größe: <input type="checkbox"/> mini <input type="checkbox"/> medium <input type="checkbox"/> big  Code 224 Code 225	Holder for headrest for height adjustable push handles for back with CODE 108, 209 and 207 for headrest tube: <input type="checkbox"/> 15x15mm Code 225V <input type="checkbox"/> Ø 19mm Code 225R	headrest "light" aluminium Ø19mm AG490 black breathable fabric for standard back für Rücken mit CODE 447 for height adjustable push handles for back CODE 448 a. 410 size: <input type="checkbox"/> mini <input type="checkbox"/> medium  Code 3524 Code 3525	Positioning aid for headrest „light“ Code 3526	stabilisation tube only for height adjustable push handles from BH 30  Code 178	stabilisation tube at the push handles = push bar  Code 478
	piece	piece	piece	piece	piece	piece
	325,- €	325,- €	208,- €	60,- €	158,- €	172,- €

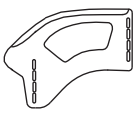
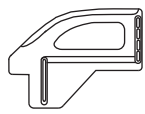
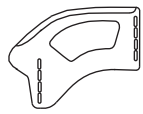

* Attention: with UNITOMIC back choose seat depth 2cm shorter

Note: When using SlimLine-Design (Code 202) the seat cushion (Code 470 / 471 / 472) is also supplied in SlimLine-Design.

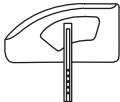
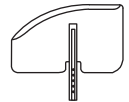
Technical changes and print mistakes are reserved.

VD2362E-31

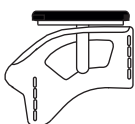

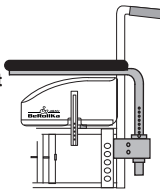
side guards

<p>Clothing guard round screwed on, aluminium with cold protection (in frame color)</p>  <p>Code 433</p>	<p>Clothing guard screwed on, plastic, black</p>  <p>Code 430</p>	<p>Clothing guard round PC-Carbon, with cold protection, screwed on (CARBON-Optics)</p>  <p>Code 230</p>	<p>Clothing side guard ERGO AL aluminium with cold protection, screwed on (in frame colour)</p>  <p>Code 437</p>	
<input type="checkbox"/> Pair 288,- €	<input type="checkbox"/> Pair 230,- €	<input type="checkbox"/> Pair 276,- €	<input type="checkbox"/> Pair 296,- €	

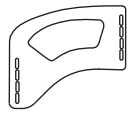

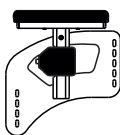
side guards

<p>Clothing guard round pluggable, aluminium with cold protection (in frame color)</p>  <p>Code 434</p>	<p>Clothing guard pluggable, plastic, black</p>  <p>Code 431</p>	
<input type="checkbox"/> Pair 352,- €	<input type="checkbox"/> Pair 318,- €	

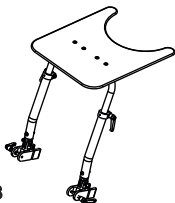
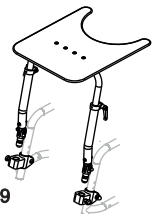
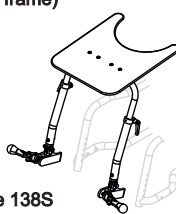
side guards

<p>Clothing guard round screwed on, aluminium with cold protection, armrest screwed on (side guard in frame colour)</p> <p><input type="checkbox"/> armrest short Code 231</p> <p><input type="checkbox"/> armrest long Code 231L</p>  <p>Code 231</p>	<p>Clothing side guard ERGO AL Aluminium with armrest short screwed on, with cold protection (side guard in frame colour)</p> <p>armrest short</p>  <p>Code 4371</p>	<p>Arm pads swingable to side and high adjustable</p> <p><input type="checkbox"/> armrest short</p> <p><input type="checkbox"/> armrest long</p>  <p>Code 432 (without clothing guard)</p>
<input type="checkbox"/> Pair 335,- €	<input type="checkbox"/> Pair 364,- €	<input type="checkbox"/> Pair 279,- €

side guards

<p>Side guard screwed on, aluminium, with cold protection</p>  <p>Code 232</p>	<p>Side guard with armrest short, screwed on, aluminium, armrest short</p> <p>armrest short</p>  <p>Code 238</p>	<p>Side guard aluminium screwed with height adjustable armrest (with raster RACY)</p> <p>armrest holder with raster</p> <p><input type="checkbox"/> armrest long</p> <p><input type="checkbox"/> armrest short</p>  <p>Code 235</p>
<input type="checkbox"/> Pair 237,- €	<input type="checkbox"/> Pair 286,- €	<input type="checkbox"/> pair 364,- €

therapy tray

<p>Therapy tray clamped in the frame with clamp bracket at the frame</p>  <p>Code 138</p>	<p>Therapy tray plug on the frame with plug attachment on the frame</p>  <p>Code 139</p>	<p>Therapy tray on the frame quick release clamped (at the frame)</p>  <p>Code 138S</p>
<input type="checkbox"/> Piece 478,- €	<input type="checkbox"/> Piece 478,- €	<input type="checkbox"/> Piece 502,- €

Technical changes and print mistakes are reserved.

VD2362E-31

Combinations wheels with frame length

rear wheel	Little SLT (frame integrated footrest)		Little AR (with demounted footrest)	
	CODE 2421 frame straight (integrated)	CODE 2422 frame with abuction (integrated)	CODE 2428 frame straight (with demountable fottrest)	CODE 2429 frame with abduktion (with demountable footrest)
20"	possible	possible	possible only with 4"/5"	possible only with 4"/5"
22"	possible	possible	possible only with 4"/5"	ST 26 - 34 Frame short possible (only with castor 4" or 5" possible) (only wheel position „C“ possible!!!) ST 36 - 38 Frame long possible (only castor 4" or 5" possible) (only wheel position „B“ and „C“ possible!!!)

Wheel plate:

Center of gravity adjustment (measured from black tube to wheel center)

Wheel plate staggered / back straight:

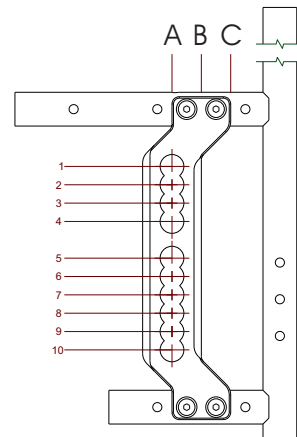
A = 8,0 cm

B = 6,0 cm

C = 4,0 cm

B = 2,0 cm

wheel plate turned / backwards



-> if no information from the customer, we mount the wheel plate at position C (position B at ERGO-AL)
position A only possible with side guard ERGO-AL Code 437 !!)

Wheel plate staggered / UNITMOIC back:

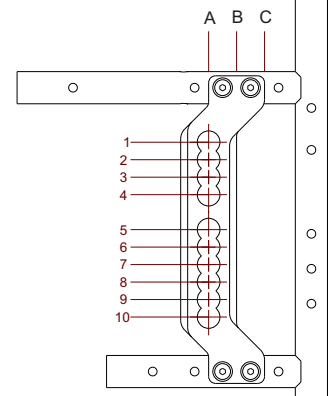
A = 8,0 cm (3,5cm at bow)

B = 6,0 cm (1,5cm at bow)

C = 4,0 cm (-0,5cm at bow)

B = 2,0 cm (-2,5cm at bow)

wheel plate turned / backwards



-> if no information from the customer, we mount the wheel plate at position B

Technical changes and print mistakes are reserved.

VD2362E-31

Note: the combination 22" and 6" at short frame (Code 2428 or 2429) is not possible!!!!

rear wheel			
Rear wheel standard (alu-rim) with quick release axle		22" x1 Performance tyre	
Pneumatic	Solid	<input type="checkbox"/> 22"x1 Code 577 Marathon Plus Evolution (black pneumatic tyre)	Right Run 22"x1 Code 576 <input type="checkbox"/> black
<input type="checkbox"/> 20"x1* fine profile Code 142 <input type="checkbox"/> 20"x1 black fine profile Code 142S <input type="checkbox"/> 22"x1 3/8* rough profile Code 150 <input type="checkbox"/> 22"x1* fine profile Code 144 <input type="checkbox"/> 22"x1 black fine profile Code 144S	<input type="checkbox"/> 20"x1 3/8 grey CODE 143 <input type="checkbox"/> 20"x1 grey CODE 240 <input type="checkbox"/> 20"x1 black CODE 241 <input type="checkbox"/> 22"x1 3/8 grey CODE 149 <input type="checkbox"/> 22"x1 grey CODE 141 <input type="checkbox"/> 22"x1 black CODE 141S		
*grey tyres Standard		OE 40,- €	

handrim for rear wheel						
Handrim for rear wheel					GEKKO S black anodized with rubber lip Ø - smaller	Handrim cover black
aluminium black	aluminium silver	stainless steel	TETRA-GRIP (Super Grip)	CURVE black anodized	 <input type="checkbox"/> 20 inch Code 290 <input type="checkbox"/> 22 inch Code 191	
<input type="checkbox"/> 20" Code 158 <input type="checkbox"/> 22" Code 455 extension narrow <input type="checkbox"/> wide <input type="checkbox"/>	<input type="checkbox"/> 22" Code 492 narrow <input type="checkbox"/> wide <input type="checkbox"/>	<input type="checkbox"/> 20" Code 291 <input type="checkbox"/> 22" Code 155	<input type="checkbox"/> 20" Code 254 <input type="checkbox"/> 22" Code 252 extension narrow	<input type="checkbox"/> 22" Code 4502 extension narrow		
Standard			OE 322,- €	OE 392,- €	OE 506,- €	<input type="checkbox"/> Pair 138,- €

rear wheel	light weight wheel												
Rear wheel with drum brake and quick release axle (for companion) <input type="checkbox"/> 20 inch Code 2487 <input type="checkbox"/> 22 inch Code 2489 <input type="checkbox"/> Pair OE 318,- €	Light weight wheel LWW with black rim, 24 radial spokes black with alu hand rim and pneumatic tyre (fine profile) <table style="width:100%; border-collapse: collapse;"> <tr> <td style="text-align: center;">grey tyre</td> <td colspan="2" style="text-align: center;">black tyre</td> </tr> <tr> <td style="text-align: center;">hand rim black</td> <td style="text-align: center;">hand rim silver</td> <td style="text-align: center;">hand rim black</td> </tr> <tr> <td>20 x1" <input type="checkbox"/> CODE 565</td> <td><input type="checkbox"/> CODE 565S</td> <td><input type="checkbox"/> CODE 2868</td> </tr> <tr> <td>22 x1" <input type="checkbox"/> CODE 564</td> <td><input type="checkbox"/> CODE 564S</td> <td><input type="checkbox"/> CODE 2867</td> </tr> </table> <input type="checkbox"/> Pair not possible with solid tyre ! max. 7° camber possible OE 188,- €	grey tyre	black tyre		hand rim black	hand rim silver	hand rim black	20 x1" <input type="checkbox"/> CODE 565	<input type="checkbox"/> CODE 565S	<input type="checkbox"/> CODE 2868	22 x1" <input type="checkbox"/> CODE 564	<input type="checkbox"/> CODE 564S	<input type="checkbox"/> CODE 2867
grey tyre	black tyre												
hand rim black	hand rim silver	hand rim black											
20 x1" <input type="checkbox"/> CODE 565	<input type="checkbox"/> CODE 565S	<input type="checkbox"/> CODE 2868											
22 x1" <input type="checkbox"/> CODE 564	<input type="checkbox"/> CODE 564S	<input type="checkbox"/> CODE 2867											


wheel plate for rear wheel			
Center of gravity adjustment	Wheel extension for drum brake	Wheel extension	
wheel position: staggered wheel plate	 Code 162 only with wheel plate straight <input type="checkbox"/> Pair 204,- €	 Code 161 only with wheel plate straight <input type="checkbox"/> Pair 158,- €	

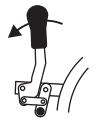




rear wheel - spoke cover			
Spoke cover transparent	spoke cover with special-motive		Example
 <input type="checkbox"/> 20 inch Code 164 <input type="checkbox"/> 22 inch Code 165 Pair 180,- €	the price for special-spoke cover are net price and not discountable!! www.theramedical.de motive no.: _____ please take the motive no. from the website www.theramedical.de Code 2268 <input type="checkbox"/> 22" <input type="checkbox"/> 20"		www.rs-speichenschutz.com motive no.: _____ please take the motive no. from the website www.rs-speichenschutz.com Code 2267 <input type="checkbox"/> 22" <input type="checkbox"/> 20"
	<input type="checkbox"/> Pair net price 232,- €	<input type="checkbox"/> Pair net price 220,- €	 Information about others spoke cover motives please take website

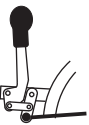


Technical changes and print mistakes are reserved. VD2362E-31

Note: the combination 22" and 6" at short frame (Code 2428 or 2429) is not possible!!!!

Castor						
Castor with screw axle short, castor adapter M8 and Design fork black					black PU-tyre PU black	Castor solid with with plastic rim black and black tyre (slim tyre)
<input type="checkbox"/> 4" Skater	Code 530	<input type="checkbox"/> 6" grey solid	Code 533	<input type="checkbox"/> 4"	Code 531S	<input type="checkbox"/> 4" Code 534
<input type="checkbox"/> 4" grey solid	Code 531	<input type="checkbox"/> 6" black solid	Code 533B	<input type="checkbox"/> 5"	Code 532S	<input type="checkbox"/> 5" Code 535
<input type="checkbox"/> 5" grey solid	Code 532	<input type="checkbox"/> 6" pneumatic	Code 536	<input type="checkbox"/> 6"	Code 533S	
<input type="checkbox"/> 5" black solid	Code 532B					
Standard						pair MP 48,- €

Castor			
Lightwheel Castor with LED	Castor wheel more outside and more forward (forward 40mm / outside 38mm)	Soft-aluminium-castor black tyre (solid) soft	
<input type="checkbox"/> 4 inch Code 181LED	 Code 2459 not possible at Little AR with frame short	aluminium rim silver	aluminium rim black
<input type="checkbox"/> 5 inch Code 582LED		<input type="checkbox"/> 4 inch Code 5394	<input type="checkbox"/> 4 inch Code 5394S
		<input type="checkbox"/> 5 inch Code 5395	<input type="checkbox"/> 5 inch Code 5395S
Pair OE 54,- €	<input type="checkbox"/> Pair OE 102,- €	Pair OE 102,- €	

brake					
Knee angle brake offset with short lever stroke	Knee angle brake "Pull to lock" Pull to lock the brake	Brake lever extension straight, foldaway		Knee angle brake offset with locking pin for locking	
					
<input type="checkbox"/> Code 174K	<input type="checkbox"/> Code 274	(only for CODE 174K) Code 175		<input type="checkbox"/> Code 174Rast	<input type="checkbox"/> Code 174RastD
Standard			<input type="checkbox"/> Pair 84,- €	OE 192,- €	OE 292,- €
				OE 268,- €	

brake		accessories	
Knee angle brake 174K switched through companion	additional Knee angle brake only for companion, activated with bowden cable (Brake is mounted under the frame)	Anchor plate system anchor plates for transport in cars (ISO 7176-19) Assembly kit for wheelchairs including mounting.	
		 Code 2490	
Code 2478	Code 2479		
Combination with 175 not possible Combination with 2487 / 2489 not possible	Combination with 175 not possible Combination with 2487 / 2489 not possible		
<input type="checkbox"/> Pair OE 212,- €	<input type="checkbox"/> Pair 334,- €	<input type="checkbox"/> Set 895,- €	

note

Technical changes and print mistakes are reserved.

VD2362E-31

Little_{SLT}

accessories

traking extension **TRIKE**
as steering and pushing aid

hook closure



capacity up to **60kg**
(wheelchair incl. payload)

size 1: frame straight SW 26cm - 28cm
frame abduction SW 24cm - 28cm
size 2: seat width 30cm - 34cm

CODE 9901
(ET-Nr.: T1010000)

holder lateral at frame (for type d.23)
with hook closure
castor 10x2" black alu fork
arrangement with gear segment
with ramp as mounting aid

capacity up to **90kg**
(wheelchair incl. payload)

size 3: seat width 36cm - 40cm
size 4: seat width 42cm - 46cm

CODE 9902

Trike

traking extension
as steering and pushing aid



Piece 489,- €

Piece 629,- €

Little_{AR}

traking extension **TRIKE**
as steering and pushing aid

hook closure



capacity up to **60kg**
(wheelchair incl. payload)

size 1: frame straight SW 26cm - 28cm
frame abduction SW 24cm - 28cm
size 2: seat width 30cm - 34cm

CODE 9906

special holder lateral at frame (for type d.23)
with hook closure
castor 10x2" black alu fork
Gestänge mit Zahnsegment
mit Rampe als Montagehilfe

capacity up to **90kg**
(wheelchair incl. payload)

size 3: seat width 36cm - 40cm
size 4: seat width 42cm - 46cm

CODE 9907

Piece 516,- €

Piece 675,- €

TRIKE colour frame Edition "...-Color"

<p>Note: the TRIKE frame parts are made of aluminium</p>	<p>TRIKE- frame colour powder coated</p> <p>Colour : frame colour (see page 1)</p> <ul style="list-style-type: none"> - frame type right / left - cross tube - castor fork <p>Code 9908</p>	<p>Edition "Duo-Color"</p> <p>colour 1: _____ (castor fork)</p> <p>colour 2: _____ (frame type right / left, cross tube)</p> <p>Code 9909</p>	<p>Castor fork with brake for directional stability</p> <p>Code 9909F</p>
	<p>without extra charge <input type="checkbox"/> OE 136,- €</p>	<p><input type="checkbox"/> OE 146,- €</p>	<p><input type="checkbox"/> Piece OE 156,- €</p>

Little_{SLT}

accessories

traking extension **TRIKE**
as steering and pushing aid

quick release (clamp)



capacity up to **60kg**
(wheelchair incl. payload)

size 1: frame straight SW 26cm - 28cm
frame abduction SW 24cm - 28cm
size 2: seat width 30cm - 34cm

CODE 9921
(ET-Nr.: T1020000)

holder quick release (clamp)
at frame (for pipe Ø 23mm)
castor 10x2" black alu fork
arrangement of levers with gear segment
with ramp as mounting aid
with adjusting ring at frame (Ø 23mm)

capacity up to **90kg**
(wheelchair incl. payload)

size 3: seat width 36cm - 40cm
size 4: seat width 42cm - 46cm

CODE 9922
(ET-Nr.: T1020020)

Piece 498,- €

Piece 639,- €

Note:

Little AR: combination TRIKE with anchor plate system is **not** possible !!

Little SLT: combination TRIKE (hook) with anchor plate system is from frame long (from SD 34) possible !!
combination TRIKE (clamp) with anchor plate system is possible !!

note

Technical changes and print mistakes are reserved.

VD2362E-31

General Terms and Conditions of Business (GTC)

Validity

All sales are subject to our delivery and payment conditions, without any exception. Orders and other agreements will not be valid unless confirmed by us in writing. We expressly object to the customer's purchase conditions.

Quotations and contract conclusion

Quotations are always subject to change, unless they are expressly limited in terms of time. Orders require a written confirmation. After confirmation, prices quoted in orders are fixed but we reserve the right to make adequate price adjustments in the event of price increases for which we are not responsible (e.g. tax increases, wage increases, price changes on the part of our suppliers). Cost estimates for customized products and repairs are always non-binding. We reserve the right to make technical modifications. The contract will not be concluded before the order is confirmed.

Shipment

To the extent the customer has not made any specification, shipment will be made in usual packaging using an adequate method. Insurance will only be taken out upon request and at the expense of the customer.

Delivery will be made carriage forward. We are free to select a method of shipment. If the customer has special requests, e.g. express delivery, express freight, etc., the additional cost will also be borne by the recipient. The goods will always be shipped at the buyer's risk. In case of damage during transport, the recipient must apply for an ascertainment of the facts with the respective forwarding agent.

Prices

All prices quoted by BEROLLKA will be quoted ex works, excluding any applicable statutory value added tax, public charges and levies such as potential customs tariffs, and insurance and packaging costs that will be charged separately.

Minimum quantity surcharge

If a small order is placed with a net value below 20 euros, an additional lump-sum minimum quantity surcharge of 15.00 euros will additionally be charged to cover administrative costs.

Delivery periods

The delivery dates and periods stated are subject to change. Any delay in delivery will not entitle the customer to withdraw from the contract. The assertion of damage claims is ruled out. BEROLLKA can make partial deliveries for justified reasons.

Wrong orders / return of merchandise

Any goods erroneously ordered will only be taken back provided we are responsible for such an error and the merchandise is in impeccable condition. In the event that an item erroneously ordered or merchandise that was returned is taken back in an individual case as a gesture of goodwill, attention must be paid to the following:

1. It is necessary to state the article number, the designation of the article, the date and number of the delivery note and the invoice number.
2. The return shipment must be carriage paid.
3. The merchandise must correspond to the article number(s) listed in the delivery note. In no event will any individual parts removed from an article be taken back.
4. The returned merchandise must be in impeccable condition.
5. Processing fees amounting to 10% of the net merchandise value not, however, less than €35.- will be charged for any instance where goods are taken back.

Deliveries effected more than 3 months earlier as well as sewing pieces and customized products cannot be exchanged. A copy of the delivery note or of the invoice will serve as proof in this regard.

Warranty and notices of defects

Excluding any further claims, the seller is liable for defects of the merchandise in that the seller will mend or replace all those parts free of charge that have become defective or unusable within 6 months due to provable defects of material or workmanship, and of which the seller has been notified in writing immediately after knowledge was gained of the defect. Should longer periods of time be required for statutory reasons, the warranty period is agreed to be 12 months.

The customer must grant the seller the required time and opportunity for effecting delivery of the replacement parts. Replaced parts will become the property of the seller. The buyer must check the merchandise without undue delay after it has been delivered by the seller and, if a defect is found, notify the seller of the defect without undue delay. Should the buyer fail to notify the seller, the merchandise will be deemed accepted unless a defect occurs that could not have been found when the merchandise was checked.

In any event in which a complaint is brought to the notice of BEROLLKA, BEROLLKA invariably has the right to inspect and check the item delivered that is the subject matter of said complaint, for which the customer will grant BEROLLKA the required time and opportunity. BEROLLKA can also demand that the customer sends the item delivered that is the subject matter of a complaint back to BEROLLKA at the expense of BEROLLKA. Should a notice of defects given by the customer turn out to be wilfully or gross negligently unfounded, the customer will be obliged to compensate BEROLLKA for any and all expenses incurred in this connection. BEROLLKA will be entitled to remedy warranty defects at its own discretion either by rectification of the defect or by replacement of the defective part or of the entire item delivered at no cost for the customer. Should the customer itself repair an item that gave rise to a complaint, or should the customer endeavour to rectify the defects itself without prior written approval of the seller, the seller will not grant any claims for reimbursement of expenses (such as transport, road, labour or material costs) or warranty claims.

The following are excluded from the liability for damages:

damage arising from natural wear and tear, damage due to negligent and/or improper treatment, or violent damage. A revocation of the purchase contract, a reduction of the purchase price or damage claims of any kind are ruled out. The warranty obligation will cease if repairs and/or modifications or replacements of individual parts are performed by other parties than the seller or the delivering company.

Reservation of title

With regard to resellers: The merchandise delivered will remain our property until any and all invoices – also for different deliveries – have been fully paid. Our merchandise that is hence still our property may only be resold within the ordinary course of business. Amounts receivable from any resale are assigned to us. We must be notified without undue delay and on the reseller's own initiative of any disposal of said merchandise outside of the ordinary course of business, e.g. through pledging our property or amounts receivable assigned to us.

Terms of payment

Any invoices are payable within 30 days from the date of the invoice strictly net cash. A 2% discount will be granted for payments received within 8 days provided any and all payment claims under earlier deliveries have been settled. We are entitled to charge default interest if the 30-day payment deadline is exceeded. The interest rate will be the customary market rate charged by major banks. We expressly reserve the right to effect delivery with cash on delivery.

Data Protection

BEROLLKA and the customer are responsible themselves for compliance with the respective data protection rules applicable to them. The customer must not provide BEROLLKA with personal data that is illegal or that the customer is not legally authorised to distribute.

The place of performance and the place of jurisdiction will be the place where the invoice is issued.

Heidelberg, Germany, will be the exclusive place of jurisdiction for any and all disputes arising under the contractual relationship. However, BEROLLKA is entitled to sue the customer at any other legal venue. These General Terms and Conditions of Business are governed by the laws of the Federal Republic of Germany, excluding of the United Nations Convention on Contracts for the International Sale of Goods (CISG).

Technical modifications and printing errors excepted. A current list of prices can be ordered at any time.